



# Round Ceiling Baffle

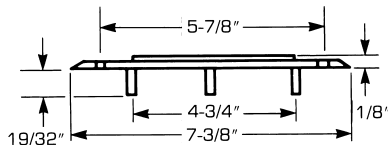
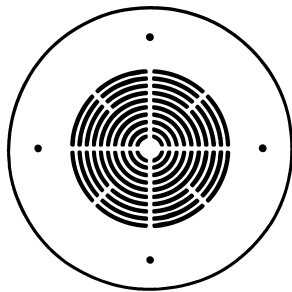
for 4" & 5" Speakers  
Model CR4/5W & CR4/5WX

- Flush mount, cost effective baffle for most 4" or 5" speakers.
- Ceiling white, non-glare texture blends with ceiling material.
- Easy-on studs for mounting speaker in seconds.
- Model CR4/5W made of UV stabilized, high impact polystyrene. Model CR4/5WX made of Fourjay's Flamex; UL rated 94V-0 flame retardant ABS (See Form 410).
- Paintable and non-corroding.
- Injection molded in Fourjay's plant for quality assurance.
- Fast, easy, labor-saving installation with Model MR4/5(X) Mounting Ring and Model UMB(X) Tee Bar Bridge.
- Matching whitehead screws and push-on nuts furnished; phillips head screws for electric drivers.
- Model CR4/5W(X) Master carton of 20



### ARCHITECT'S & ENGINEER'S SPECIFICATIONS

Round baffle for 4" or 5" speaker shall be Fourjay Model CR4/5W(X) with outside diameter of 7-3/8". It shall have four studs on 4-3/4" diameter circle to accept most 4" and 5" speakers. The baffle shall be constructed of ceiling white, UV stabilized, high impact polystyrene (ceiling white, UL rated 94V-0 flame retardant ABS) which is paintable and non-corroding. Furnished with four push-on nuts to securely fasten speaker to baffle, and four #8 x 1-1/2" truss-whitehead sheet metal screws to fasten baffle to mounting device.



- Material:** CR4/5W- UV stabilized, high impact polystyrene CR4/5WX- UL rated 94V-0 flame retardant ABS
- Color:** Ceiling white (paintable)
- Speaker Size:** 4" or 5" (4-3/4" dia. mounting centers)
- Fasteners (furnished):**
- Baffle Mtg.:** Four #8 x 1-1/2" phillips truss-whitehead sheet metal screws
  - Speaker Mtg.:** Four push-on spring nuts
- Standard Package:** 20 units
- Mounting Devices:** 5-7/8" dia. circle mounting pattern: Models MR4/5(X) and UMB(X)



**FOURJAY** SINCE 1956  
INDUSTRIES, INC.

2801 ONTARIO AVE. • DAYTON, OH 45414 TELEPHONE (937) 890-6444  
• FAX (800) 4J HORNS (454-6767) WEBSITE: <http://www.fourjay.com> •  
EMAIL: [4j@fourjay.com](mailto:4j@fourjay.com)

*Fourjay Quality—American Made*

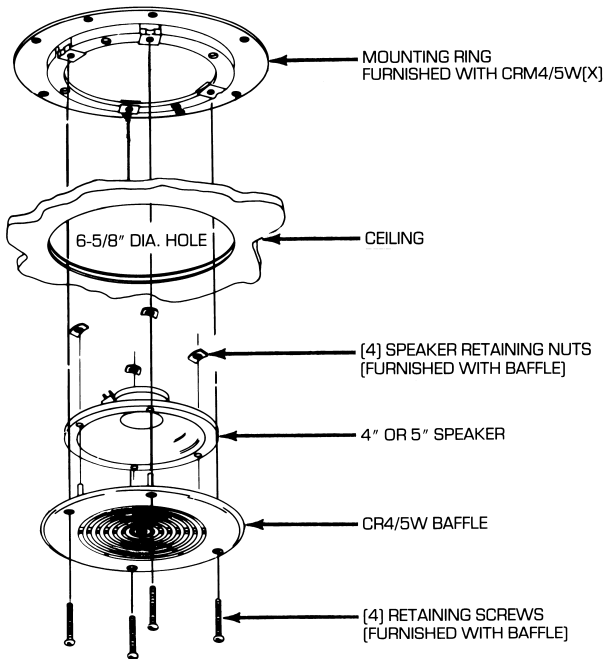
# Ceiling Baffle for 4" & 5" Speaker

IN STOCK

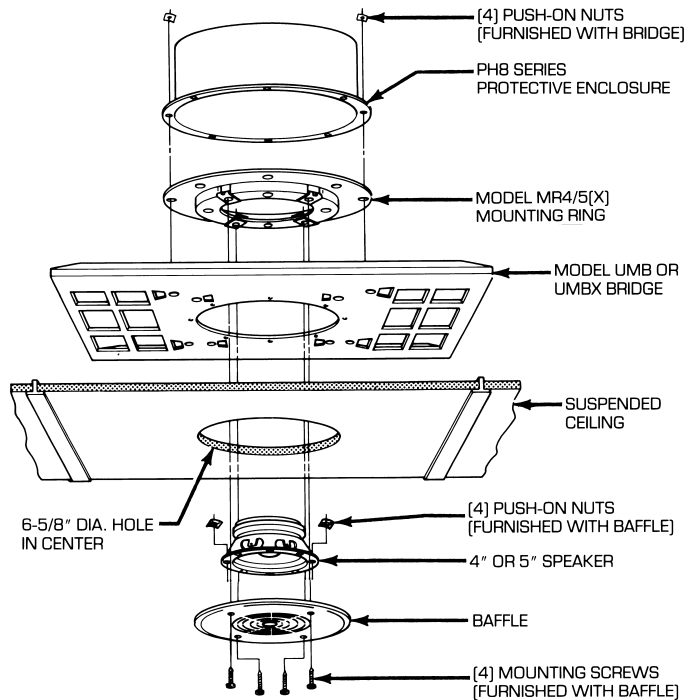
# Model CR4/5W(X)

IMMEDIATE SHIPMENT

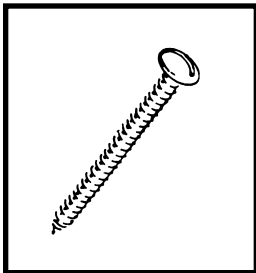
## ASSEMBLY OF MODEL CR4/5W(X)



## ASSEMBLY WITH TEE BAR BRIDGE AND PROTECTIVE ENCLOSURE

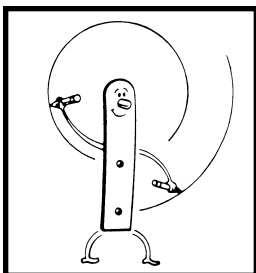


## ACCESSORIES



### KIT NO. K25

Extra long 2-1/2" whitehead screws for use with extra thick, low density tile. Special whiteheads match Fourjay white baffles. Kit contains 100 screws.



### MR. SCRIBER

Mounting hole marker supplied with each shipment of Model CRM4/5W(X) or with Fourjay mounting devices.



## Easy-On

Just place the speaker on the mounting studs, push on the nuts. They need not even be tight. You can assemble baffle in seconds without tools right at the installation site.



**FOURJAY** SINCE 1956  
INDUSTRIES, INC.

2801 ONTARIO AVE. DAYTON, OH 45414 TELEPHONE (937) 890-6444  
• FAX (800) 4J HORNS (454-6767) WEBSITE: <http://www.fourjay.com> •  
EMAIL: [4j@fourjay.com](mailto:4j@fourjay.com)

*Fourjay Quality—American Made*