



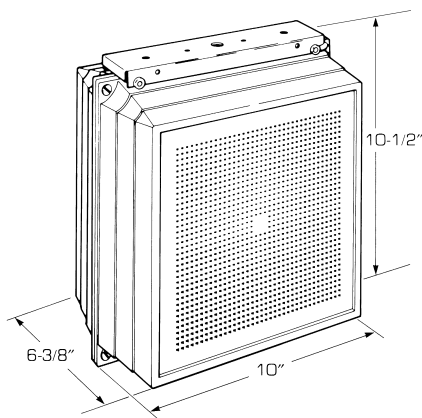
Two-Way Baffle & 8" Speaker Systems Model TW8W Series

- Square contemporary style two-way baffle for a single 8" speaker.
- Blends with room geometry; even the speaker appears to be square.
- Ceiling white non-glare texture blends into most surroundings.
- Baffles made of UV stabilized, high impact grade polystyrene thermoplastic.
- Injection molded in Fourjay's plant for quality assurance.
- Universal bracket for mounting on posts, joists, electrical boxes, flat surfaces, etc.
- Bracket made of 20 gauge steel with white powder coated finish.
- Cable entrance concealed under bracket, no exposed wiring.
- Complete factory assembled and tested models for labor-saving installation. See TW8W standard models chart on page 2.
- Kits for pole, joist and canopy mounting available, see accessories



ARCHITECT & ENGINEER SPECIFICATIONS

The Two-Way baffle (8" speaker system) shall be Fourjay Model TW8W, (ST4-TW8W or SDT4-TW8W) with overall dimensions of 10" x 10 1/2" x 6 3/8". The square design baffle shall house a single 8" speaker with transformer and shall disperse sound from both directions. The baffle shall be made of paintable, high impact grade, UV stabilized, ceiling white polystyrene thermoplastic. It shall be equipped with a white powder coated, 20 ga. steel universal mounting bracket which will allow for attachment to a flat surface, post, beam, joist or electrical box.



Material: UV stabilized, high impact polystyrene

Color: Ceiling white (paintable)

Speaker Size: 8" (7 5/8" dia. mtg. centers)

Fasteners (furnished):

Baffle Assembly: Four #8-32 x 3/4" machine screws
Four #8-32 acorn nuts

Speaker Mtg.: Four push-on spring nuts

Standard Package: 1 unit



FOURJAY SINCE 1956
INDUSTRIES, INC.

2801 ONTARIO AVE. • DAYTON, OH 45414 TELEPHONE (937) 890-6444

• FAX (800) 4J HORNS (454-6767) WEBSITE: <http://www.fourjay.com>
• EMAIL: 4j@fourjay.com

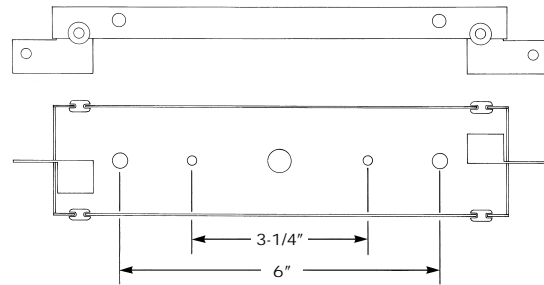
Fourjay Quality—American Made

TW8W Single Speaker Two-Way Baffle and Speaker Systems, Standard Models

Model Number	Description	Driver Model (See Form 236)	Input Taps (Watts)
TW8W	Baffle with assembly fasteners – driver NOT INCLUDED.	None	—
ST4-TW8W	Baffle with assembled 8" 5 oz. driver & 25/70 volt; 4 watt transformer and assembly fasteners.	8T427 5 oz. Dual Cone	4, 2, 1 & 0.5
SDT4-TW8W	Baffle with assembled 8" 10 oz. driver & 25/70 volt; 4 watt transformer and assembly fasteners.	8DT427 10 oz. Dual Cone	4, 2, 1 & 0.5

UNIVERSAL MOUNTING BRACKET

For all mounting methods; first install bracket using appropriate accessory. Connect audio line to speaker, route cable through baffle slot. Attach baffles to bracket and to each other with screws and acorn nuts.



MOUNTING METHODS AND ACCESSORIES

<p>WALL</p> <p>WOOD SCREWS</p> <p>CEILING</p> <p>TOGGLE BOLTS</p>	<p>THREADED ROD</p> <p>BEAM CLAMPS</p>
<p>Wall or Ceiling Mounting</p>	<p>Steel Joist Mounting</p>
<p>3/16" STOVE BOLT, 3" LONG</p> <p>POST</p> <p>3/4" PERFORATED METAL STRAP</p>	<p>OUTLET BOX (NOT INCLUDED)</p> <p>CROSSBAR & NIPPLE</p> <p>SCREWS (NOT INCLUDED)</p> <p>CANOPY</p> <p>NUT</p>
<p>KPM24 Kit – Pole Mounting</p>	<p>KCP2 Kit – Outlet Box Canopy Mounting</p>



FOURJAY SINCE 1956
INDUSTRIES, INC.

2801 ONTARIO AVE. • DAYTON, OH 45414 TELEPHONE (937) 890-6444
• FAX (800) 4J HORNS (454-6767) WEBSITE: <http://www.fourjay.com> •
EMAIL: 4j@fourjay.com

Fourjay Quality—American Made