



Wall Baffle

FW8 Series

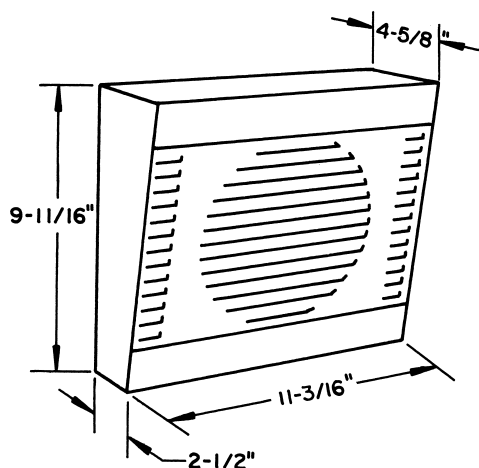
- Two attractive color choices; all white housing and grille, or two-tone desert sand housing with mocha grille.
- Ported design for extended range and efficiency.
- Grille design hides and protects speaker while giving sufficient open area dispersion of sound.
- Factory assembled and tested models... for fast labor-saving installation:
 - ...With speaker and transformer.
 - ...With speaker, transformer and volume control.
- "Locator Template" supplied in each package for fast, accurate installation.
- Manufactured of high impact polystyrene thermoplastic.
- Paintable and non-corroding.
- Injection molded and assembled in Fourjay's plant for quality assurance.
- In stock...immediate shipment!



**Model
FW8MS**



**Model
SDT4P-FW8MS**



- Material:** High impact polystyrene
- Color:** All white or desert sand housing with mocha grille (paintable)
- Speaker Size:** 8" (7⁵/₈" dia. mtg. centers)
Maximum speaker depth of 3¹/₁₆"
- Fasteners:** #8 x ⁷/₁₆" Type 25, phillips head screws with spring clips for mounting speaker to baffle. (Installed on units shipped with speaker)



FOURJAY SINCE 1956
INDUSTRIES, INC.

2801 ONTARIO AVE • DAYTON, OH 45414 TELEPHONE (937) 890-6444
• FAX (800) 4J HORNS (454-6767) WEBSITE: <http://www.fourjay.com> •
EMAIL: 4j@fourjay.com

Fourjay Quality—American Made

IN STOCK

IMMEDIATE SHIPMENT

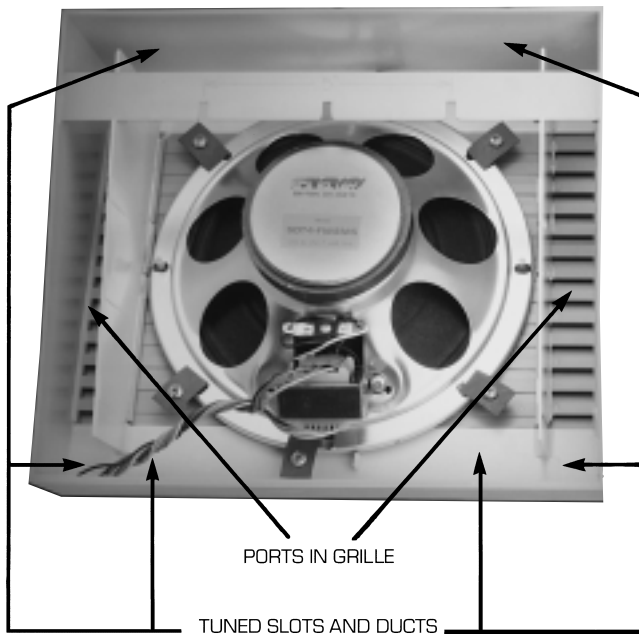
STANDARD MODELS				
Desert Sand Hsg. Mocha Grille	White Hsg. White Grille	Description	Driver Model No. (See Form 236)	Input Taps (Watts)
FW8MS	FW8W	Baffle – 8" Cone Driver NOT INCLUDED	None	—
ST4-FW8MS	ST4-FW8W	Baffle with driver & 25/70 volt, 4 watt transformer	8T427 5 oz. Dual Cone	4, 2, 1 & 0.5
SDT4-FW8MS	SDT4-FW8W	Baffle with driver & 25/70 volt, 4 watt transformer	8DT427 10 oz. Dual Cone	4, 2, 1 & 0.5
SDT4P-FW8MS	SDT4P-FW8W	Baffle with driver, 25/70 volt; 4 watt transformer & volume control with knob	8DT427 10 oz. Dual Cone	4, 2, 1 & 0.5

Ported Design

Baffle design allows speaker to operate through its full range. Ported ducts enhance bass response, and control housing stiffness to prevent rattle and distortion even at high levels. The double bar grille provides open area, yet the speaker remains nearly invisible from any angle.

Easy To Install

The integral mounting bar allows for installation by one or two nails or screws. A "Locator Template" is supplied for fast and accurate two point mounting. The mounting bar has been so located that the enclosure fits firmly against the wall without sagging. The four sides of the box support only their own weight, and act only as an enclosure. All the weight of speaker and enclosure is supported by the mounting bar.



Volume control conversion kits available on request.

ARCHITECT'S & ENGINEER'S SPECIFICATIONS

The wall baffle shall be Fourjay Model {FW8(MS or W), ST4-FW8(MS or W), SDT4-FW8(MS or W) or SDT4P-FW8(MS or W)} with overall dimensions of 9^{11/16}" x 11^{3/16}" x 4^{5/8}". The baffle shall be ported for low frequency performance and shall accept an 8" speaker with depth not more than 3^{1/16}". The protective bar style grille design will permit clear sound dispersion. Constructed of paintable high impact polystyrene, the color shall be (MS desert sand housing with mocha grille) or (W white housing and grille).



FOURJAY SINCE 1956
INDUSTRIES, INC.

2801 ONTARIO AVE • DAYTON, OH 45414 TELEPHONE (937) 890-6444
• FAX (800) 4J HORNS (454-6767) WEBSITE: <http://www.fourjay.com> • EMAIL: 4j@fourjay.com

Fourjay Quality—American Made