

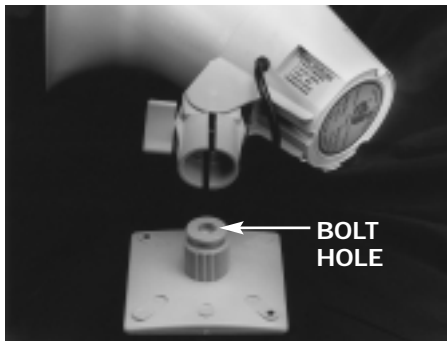


5 Watt Re-Entrant Horn Speaker

for Paging & Talk-back

205 Series

- Designed for noise penetration and clear speech intelligibility.
- Conservatively rated at 5 watts continuous duty.
- Excellent sensitivity as a microphone in talk-back systems.
- Powerful compression driver, steel parts plated to meet 96-hour salt spray test.
- Weather and corrosion resistant construction using stainless steel fasteners and engineering grade UV resistant thermoplastics.
- Mounting system designed for easy assembly and adjustment.
- Polycarbonate base features multiple mounting options.
- Manufactured in Fourjay's factory under strict quality supervision.
- Accessory kits available for mounting versatility.
- Long color coded cable for fast hookup to correct power tap.
- Bug screen kit KB400 keeps out nests and reduces talk-back noise.

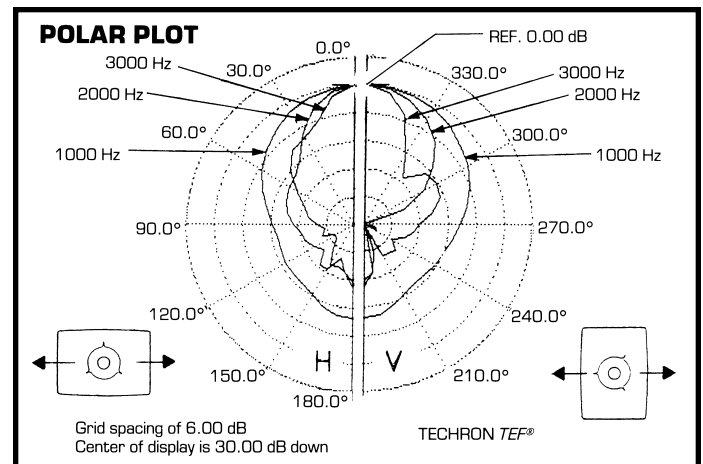
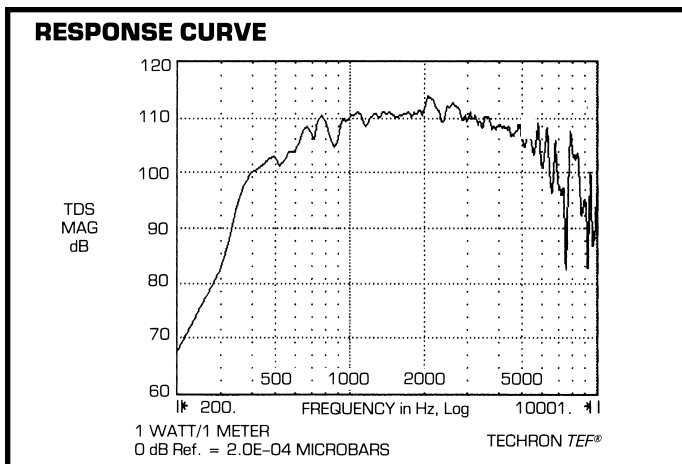


MODEL NO.	RATED INPUT	INPUT TAPS		WT. (lbs.)
		WATTS	OHMS ($\pm 10\%$)	
205/25-T	25 V line	5,2,1,1/2	150, 312, 625, 1250	3-3/4
205/70-T	70.7 V line	5,2,1,1/2	1200, 2500, 5000, 10,000	3-3/4

5 CONDUCTOR INPUT CABLE POWER TAP CODE

MODELS	BLK	BRN	GRN	RED	WH
205/25-T 205/70-T	COM	5W	2W	1W	0.5W

Quick, easy, labor-saving installation.



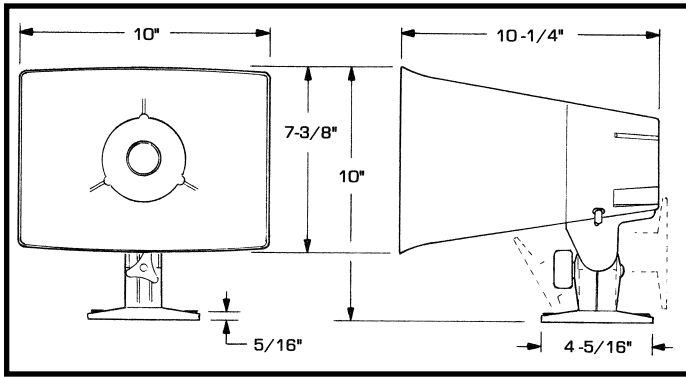
FOURJAY SINCE 1956
INDUSTRIES, INC.

3400 STOP EIGHT ROAD • P.O. BOX 13617 • DAYTON, OH 45413-0617
TELEPHONE (937) 890-6444 • FAX (800) 4J HORNS (454-6767)
WEBSITE: <http://www.fourjay.com> • EMAIL: 4j@fourjay.com

Fourjay Quality—American Made

IN STOCK

IMMEDIATE SHIPMENT



Color: Tan with brown inner horn.

Wiring: Color coded 5 conductor, 20 gauge black jacketed, 30" long cable.

TECHNICAL SPECIFICATIONS

Power Handling: 5 watts continuous duty.

Frequency Range: 670-5500 Hz (± 3 dB)
(On Axis) 400-8500 Hz (± 6 dB)

Sound Pressure Level at 1 meter):

- 1 watt, 500-5000 Hz, averaged; 110 dB
- 1 watt, 1 octave at 2 kHz, averaged; 111 dB
- 5 watts, 1 octave at 2 kHz, averaged; 117 dB

Talk-Back Sensitivity as Microphone:

Reference 94 dB (1.0 Pa) SPL, 700-2000 Hz;
-13 dBm (0 dBm = 1 mw).

PHYSICAL SPECIFICATIONS

Materials: Impact and UV resistant ABS horn and cover. High stability, UV resistant polycarbonate for driver and mounting components. Stainless steel fasteners.

Driver: Compression type, integral with horn. Replaceable phenolic diaphragm driven by a high heat rated voice coil. Magnet structure steel parts are plated per Mil. Spec. QQ-Z-325, type I, class 2, passes 96-hour salt spray test.

Mounting Provisions: Fully adjustable, 2 axis spline lock mounting assembly firmly supports speaker near its center of gravity. Removable square, polycarbonate base has provisions for fastening to standard utility boxes; 4" square, octagon or duplex. Supplied ready to install, field removable K.O. slugs seal other features. Center hole accepts 1/4" screw for securing with toggle bolt or to beam clamp.

ARCHITECT'S & ENGINEER'S SPECIFICATIONS

The loudspeaker shall be a re-entrant horn/compression driver type of integrated construction, Fourjay model (205/25-T or 205/70-T).

It shall be conservatively rated and shall be capable of operation from -30°F to +160°F temperature extremes.

On-axis frequency response shall be 400-8500 Hz (± 6 dB).

Sound pressure level (1W/1M) shall be 110 dB. Power handling capability shall be 5 watts continuous duty.

All materials shall resist damage from extreme weather exposure. Horn and cover shall be made of impact & UV resistant ABS, rated to retain mechanical properties from -30° to +160°F. Mounting system and other critical parts shall be high stability, UV resistant polycarbonate.

MOUNTING METHODS AND ACCESSORIES

KBC123 Kit Beam Clamp Mount	KBJ123 Kit Bar Joist Mount	KTG123 Kit Toggle Bolt Mount	KPM123 Kit Pole Mount
Fastening to Standard Utility Boxes 4" Square, Octagon or Duplex (Boxes not included)		Stud Driver or Concrete Nails	KB400 Bug Screen



FOURJAY SINCE 1956
INDUSTRIES, INC.

3400 STOP EIGHT ROAD • P.O. BOX 13617 • DAYTON, OH 45413-0617
TELEPHONE (937) 890-6444 • FAX (800) 4J HORNS (454-6767)
WEBSITE: <http://www.fourjay.com> • EMAIL: 4j@fourjay.com

Fourjay Quality—American Made