

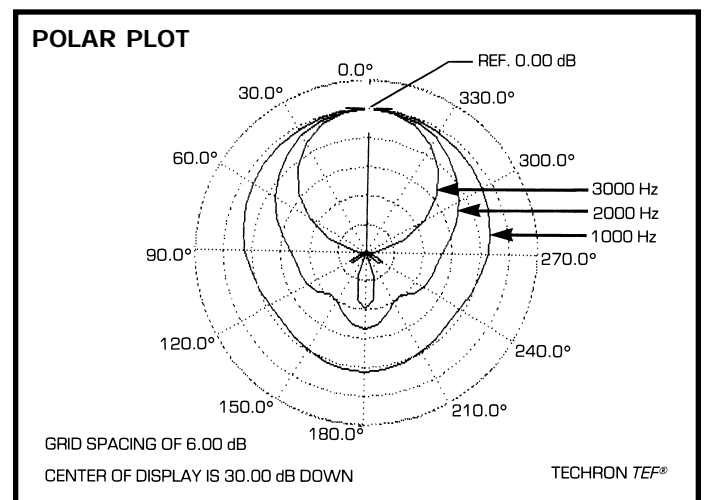
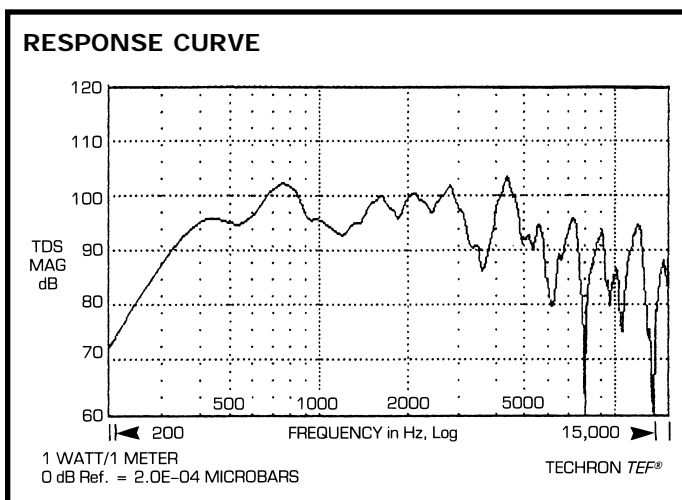


# The Little Big Horn 6 Watt Reflex Horn Speaker for Paging & Music 306 Series

- For paging and music in moderately noisy environments.
- Power rating 6 watts, continuous duty.
- Reflex driver uses moisture resistant diaphragm.
- Pleasing voice projection – high speech intelligibility.
- Weather and corrosion resistant construction of impact & UV resistant ABS and stainless steel fasteners.
- Adjustable mounting base will attach to a 3-inch electrical box.
- May be recess mounted – hole locations on flange.
- Attractive tan color.
- Enclosed transformer models tapped with 5-conductor color coded cable.
- Manufactured in Fourjay's plant under strict quality requirements.



MODEL NO.	RATED INPUT	INPUT TAPS		WT. (lbs.)
		WATTS	OHMS (±10%)	
306-8	8 ohms	6	8	1-1/4
306-45	45 ohms	6	45	1-1/4
306/25-T	25 V line	6,3,1,1/2	110,220,625,1250	1-3/4
306/70-T	70.7 V line	6,3,1,1/2	835,1670,5000,10000	1-3/4



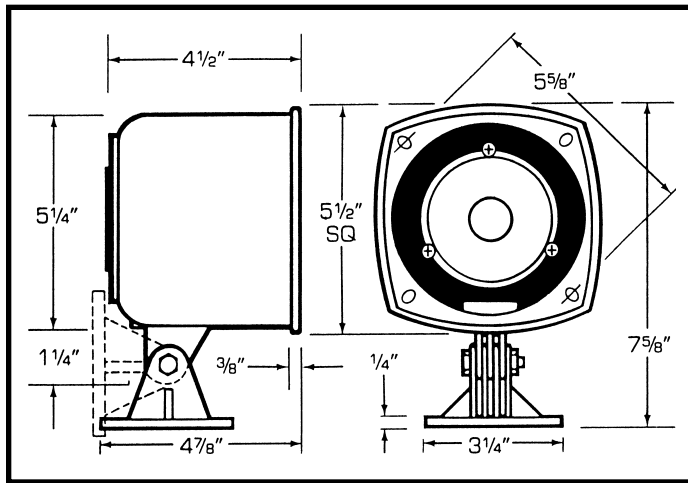
**FOURJAY** SINCE 1956  
**INDUSTRIES, INC.**

3400 STOP EIGHT ROAD • P.O. BOX 13617 • DAYTON, OH 45413-0617  
TELEPHONE (937) 890-6444 • FAX (800) 4J HORNS (454-6767)  
WEBSITE: <http://www.fourjay.com> • EMAIL: [4j@fourjay.com](mailto:4j@fourjay.com)

*Fourjay Quality—American Made*

IN STOCK

IMMEDIATE SHIPMENT



**TECHNICAL SPECIFICATIONS**

**Power Handling:** 6 watts continuous duty.

**Frequency Range:** 400-5000 Hz ( $\pm 3$  dB)  
(On Axis) 320-6000 Hz ( $\pm 6$  dB)

**Sound Pressure Level:** (At 1 meter)

- 1 watt, 500-5000 Hz, averaged; 97 dB
- 1 watt, 1 octave at 2 kHz, averaged; 98 dB
- 6 watts, 1 octave at 2 kHz, averaged; 106 dB

**Talk-Back Sensitivity as Microphone:**  
(Model 306-45)

Reference 94 dB (1.0 Pa) SPL, 1-2 kHz;  
17.2  $\pm$  2 mv or -21.8  $\pm$  3 dBm  
(0 dBm = 1 mw).

**5 CONDUCTOR INPUT CABLE POWER TAP CODE**

MODELS	BLK	BRN	GRN	RED	WH
306/25-T 306/70-T	COM	6W	3W	1W	0.5W

**PHYSICAL SPECIFICATIONS**

**Materials:** Impact and UV resistant ABS horn and mounting components. Stainless steel fasteners.

**Driver:** Reflex type. 3-1/2" diameter speaker integral with horn. Rugged cone diaphragm is moisture resistant.

**Mounting Provisions:** Adjustable base has 4 slots on 2-3/4" diameter for #8 screws. Horn flange has 4 holes on 5-5/8" diameter (4" square pattern) for recessed mounting.

**Color:** Tan.

**Wiring:** 2-conductor black jacketed 18-gauge cable on Models 306-8 and 306-45. Color coded 5-conductor 20-gauge black jacketed cable on Models 306/25-T and 306/70-T.

**ARCHITECT'S & ENGINEER'S SPECIFICATIONS**

The loudspeaker shall be a reflex driver type horn projector of integrated construction, Fourjay Model (306-8, 306-45, 306/25-T, 306/70-T). It shall be rated 6 watts for voice or music material with an on-axis frequency response of 320 to 6000 Hz ( $\pm 6$  dB). The sound pressure level shall average 97 dB (1W/1M) for 500 to 5000 Hz.

The horn and mounting base shall be tan in color and constructed of impact & UV resistant ABS which will retain mechanical properties from -20° to +160°F. The driver cone diaphragm shall be moisture resistant. All materials shall resist damage from extreme weather exposure.

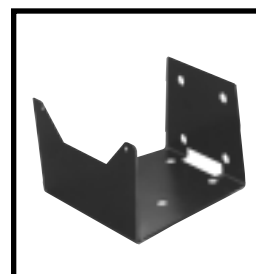
Provisions for mounting shall be clearance slots in the adjustable base and hole location points in the horn flange for adapting unit to be recess mounted.

**ACCESSORIES**



**Bug Screen Model KB400**

Open cell foam bug screen to stop bugs from building nests inside horn. Also helps reduce wind noise when unit is used as a microphone.



**Vehicle Support Bracket Model K4DM**

Coated steel bracket rigidly supports 306 Series against vibration and rough duty. See Form 367.



**FOURJAY** SINCE 1956  
**INDUSTRIES, INC.**

3400 STOP EIGHT ROAD • P.O. BOX 13617 • DAYTON, OH 45413-0617  
TELEPHONE (937) 890-6444 • FAX (800) 4J HORNS (454-6767)  
WEBSITE: <http://www.fourjay.com> • EMAIL: [4j@fourjay.com](mailto:4j@fourjay.com)

*Fourjay Quality—American Made*