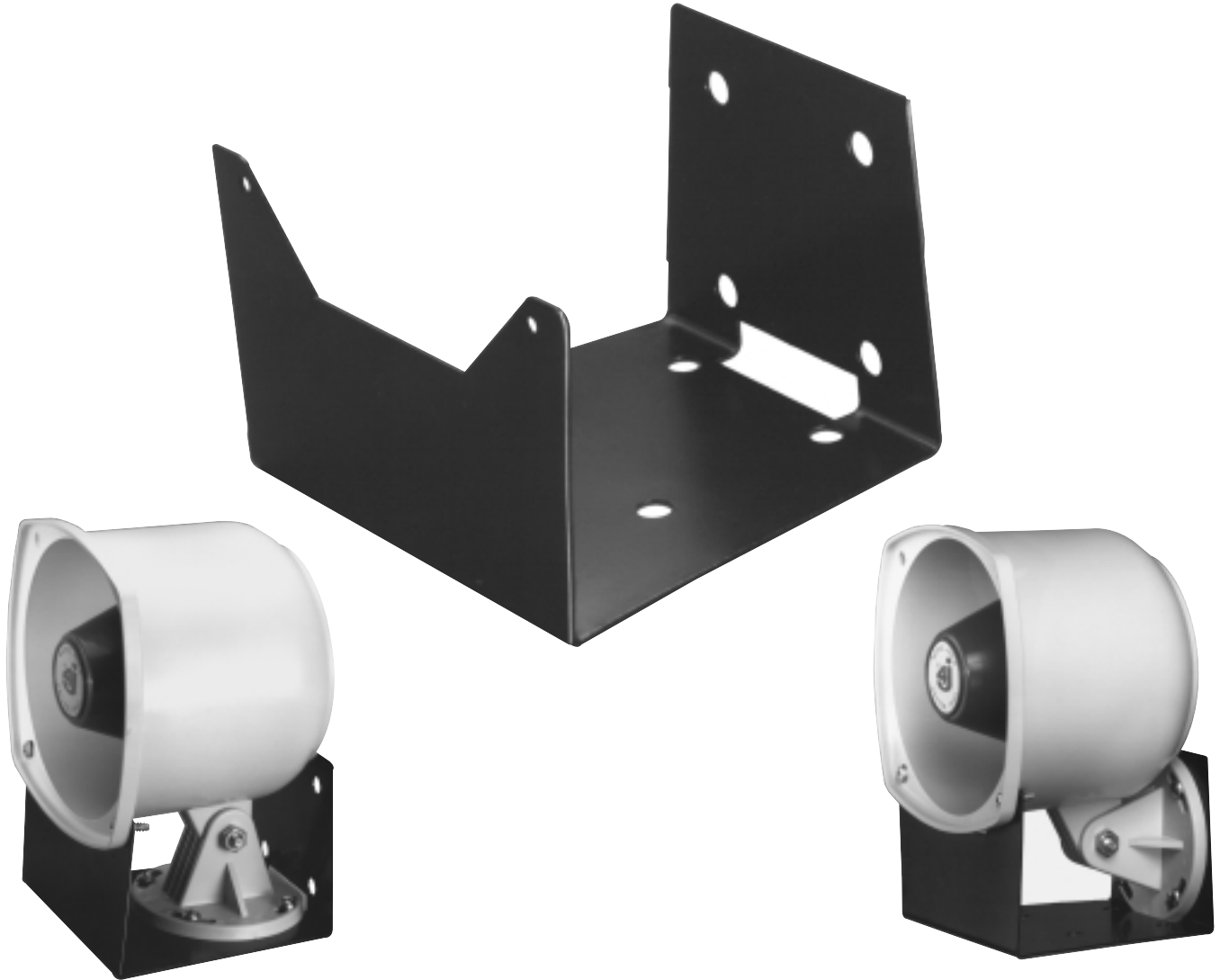




Vehicle Support Bracket

for 306 and 400 Series Horn Speaker

Model K4DM



- Mounts horn speaker on construction, service or off-road vehicles.
- Horizontal or vertical unit mounting.
- Rigidly supports unit against vibration and rough duty.
- 18 gauge steel with weather resistant black polyester powder coat.
- Stainless steel fasteners furnished.

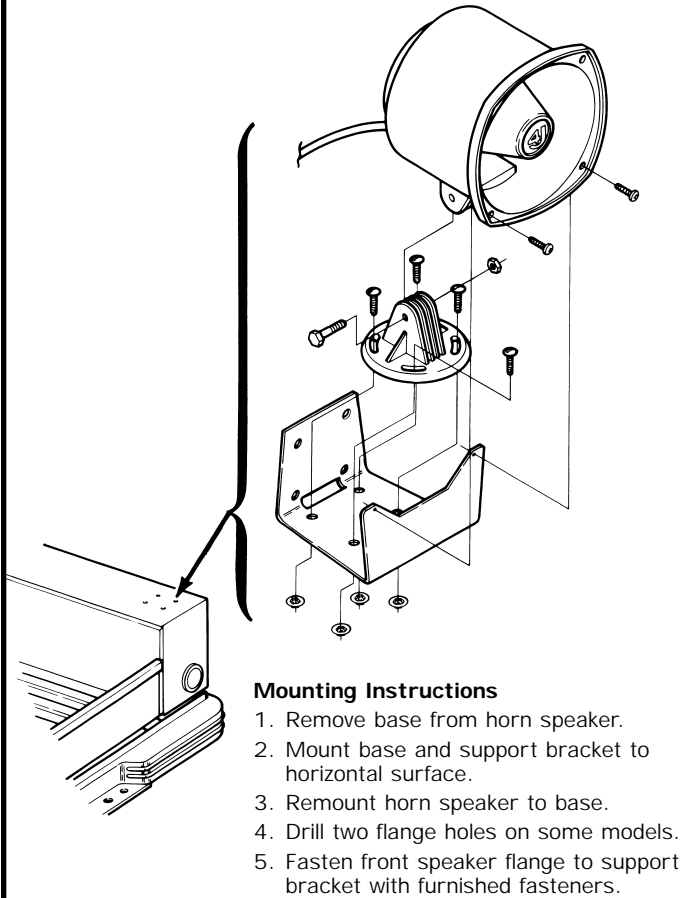


FOURJAY SINCE 1956
INDUSTRIES, INC.

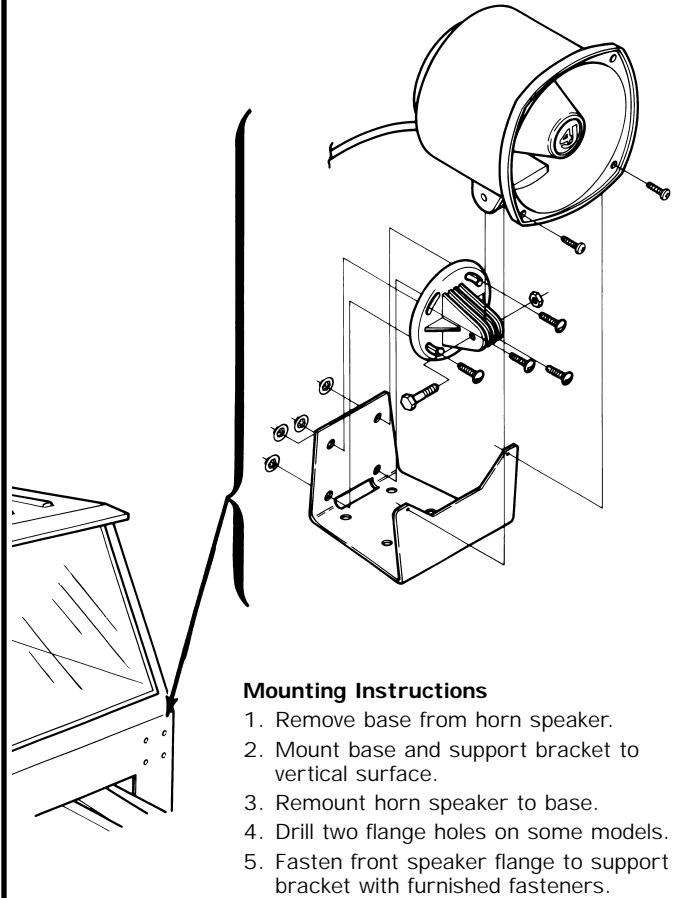
2801 ONTARIO AVE • DAYTON, OH 45414 TELEPHONE (937) 890-6444
• FAX (800) 4J HORNS (454-6767) WEBSITE: <http://www.fourjay.com> •
EMAIL: 4j@fourjay.com

Fourjay Quality—American Made

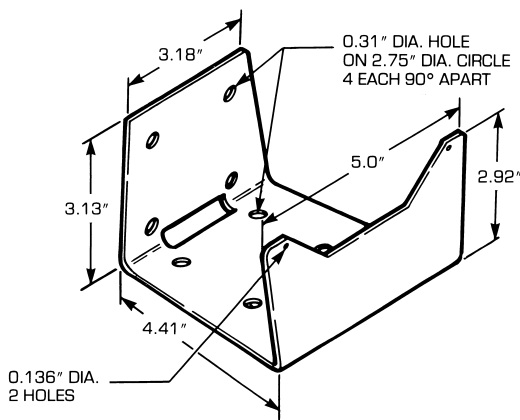
HORIZONTAL OR VERTICAL MOUNTING



Horizontal Assembly



Vertical Assembly



- Material:** 18 gauge cold rolled steel
- Color:** Black polyester powder coat
- Fasteners:** Two 8-18 x 5/8" phillips pan head stainless steel screws
- Supports:** 306-8, 306-45, 306/25-T, 306/70-T, 410-8BK, 440-8, 440-45 and 440-8M
- Standard Package:** 1 unit



FOURJAY SINCE 1956
INDUSTRIES, INC.

2801 ONTARIO AVE • DAYTON, OH 45414 TELEPHONE (937) 890-6444
• FAX (800) 4J HORNS (454-6767) WEBSITE: <http://www.fourjay.com> •
EMAIL: 4j@fourjay.com

Fourjay Quality—American Made