

# Mounting Rings for 8" Speaker Baffles

## Models MR8 & MR8X Model LAC8

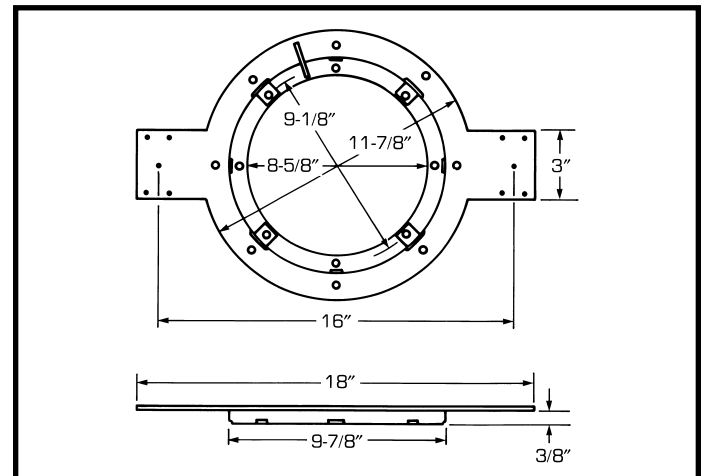
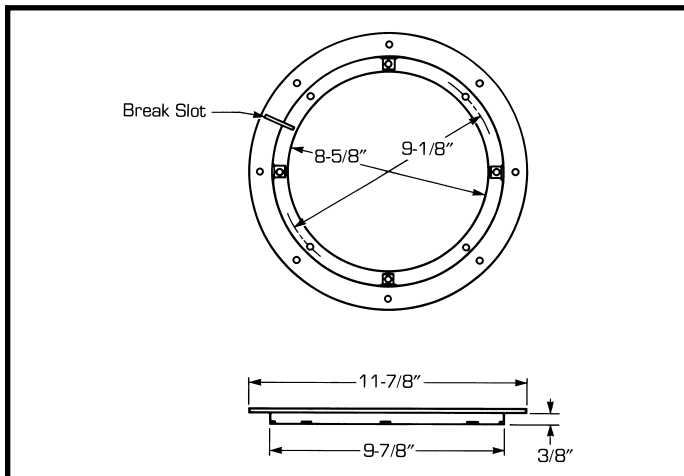
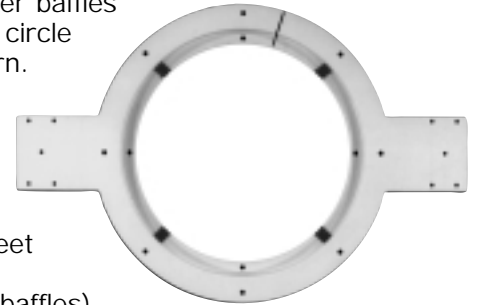
### Models MR8 & MR8X

- Mounting ring for supporting recessed 8" speaker baffle assemblies in ceilings and walls.
- Securely supports Fourjay baffles with 9-1/8" dia. circle mounting pattern.
- Fast and easy installation method eliminates use of toggle bolts.
- Slot in ring allows it to be broken and then threaded into 10" hole in existing walls or ceilings.
- Mr. Scriber mounting hole marker supplied with each shipment.
- Fourjay square baffles (Model SS8W/SS8WX) are easily aligned just prior to tightening screws.
- PH8 Series enclosures mount inside I.D. of ring and can be installed in existing structure.
- Four U-nuts assembled to mounting ring allow easy attachment of baffle using #8 Type "A" screws (furnished with baffles).
- Model MR8 is made of high impact polystyrene.
- Model MR8X is made of UL rated 94V-0 flame retardant ABS.
- Injection molded in Fourjay's plant for quality assurance.
- Economical packages of baffles with mounting ring enclosed are available (CRM8W(X), SSM8W(X), FJM8W and EJM8W).



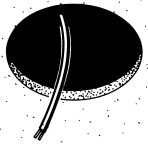
### Model LAC8

- Mounting ring designed to be attached to 16" center studs prior to drywall or plaster.
- Securely supports Fourjay recessed speaker baffles with 9-1/8" dia. circle mounting pattern.
- Four U-nuts attached to ring allow easy assembly of baffle using #8 Type "A" sheet metal screws (furnished with baffles).
- Fourjay square baffles (Model SS8W/SS8WX) are automatically aligned with stud.
- PH8 Series enclosures mount inside I.D. of ring and can be installed before or after drywall or plaster is installed.
- Manufactured of high impact polystyrene thermoplastic.
- Injection molded in Fourjay's plant for quality assurance.
- Mr. Scriber mounting hole marker supplied with each shipment.

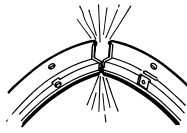


**MODELS MR8 & MR8X**

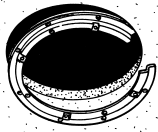
**EXISTING-CEILING INSTALLATION**



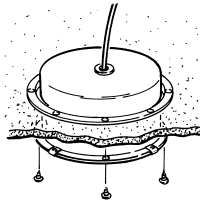
1. Cut a 10" hole for the MR8 and allow connecting wires to come through hole.



2. Snap mounting ring at slot.

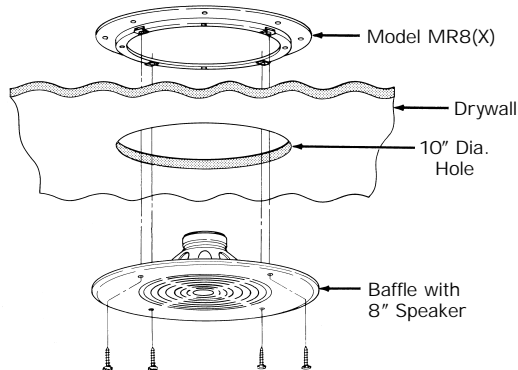


3. Thread split mounting ring through hole cut in Step 1.



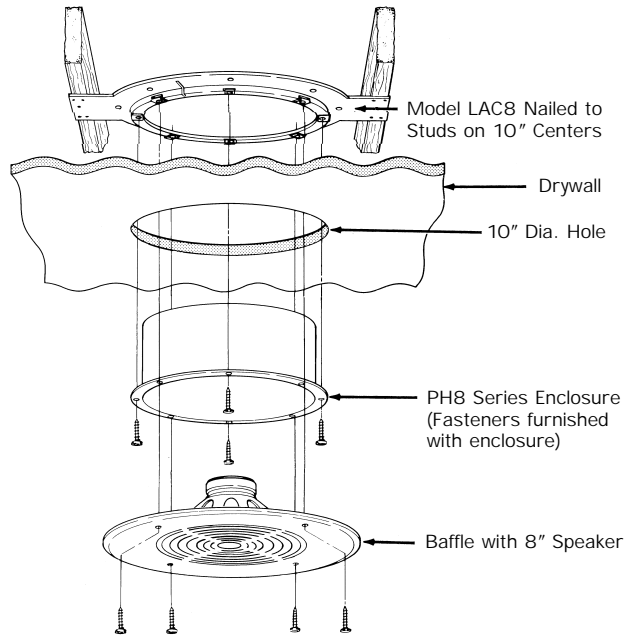
4. Push protective enclosure up through hole in mounting ring and attach with sheet metal screws provided.

**EXISTING-CEILING INSTALLATION**



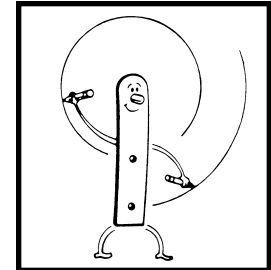
**MODEL LAC8**

**ASSEMBLY OF MODEL LAC8**



**MR. SCRIBER**

Mounting hole marker supplied with each shipment of Models LAC8, MR8 and MR8X.



**ARCHITECT'S & ENGINEER'S SPECIFICATIONS**

The mounting ring shall be Fourjay Model MR8(X) with an outside diameter of 11-7/8" and an inside diameter of 8-5/8". It shall be constructed of high impact polystyrene thermoplastic (UL rated 94V-0 flame retardant, ABS thermoplastic). It shall have four #8-15 U-nut type spring clips preassembled on the baffle mounting flange for attachment of an 8" speaker baffle with mounting holes for sheet metal screws that are on a 9-1/8" diameter circle pattern. The mounting ring shall have a slot to allow it to be broken then threaded into a 10" diameter hole in an existing structure. The mounting ring shall accept the PH8 Series protective enclosure.

**ARCHITECT'S & ENGINEER'S SPECIFICATIONS**

The mounting ring shall be Fourjay Model LAC8 and have an outside diameter of 11-7/8" with two 3" wide wings that extend to 18". It shall be made of high impact polystyrene. It shall have preformed holes in the wings to allow nailing to studs on approximately 16" centers prior to installation of drywall board. The drywall installer shall cut a 10" hole in the board to fit around the extended baffle mounting flange. The mounting ring shall allow the installation of the PH8 Series protective enclosure before or after installation of drywall board. The baffle mounting flange shall have four preassembled #8-15 U-nut type spring clips to allow attachment of an 8" speaker baffle with screw mounting holes on a 9-1/8" diameter circle.



**FOURJAY** SINCE 1956  
INDUSTRIES, INC.

2801 ONTARIO AVE • DAYTON, OH 45414 TELEPHONE (937) 890-6444  
• FAX (800) 4J HORNS (454-6767) WEBSITE: <http://www.fourjay.com> •  
EMAIL: [4j@fourjay.com](mailto:4j@fourjay.com)

*Fourjay Quality—American Made*