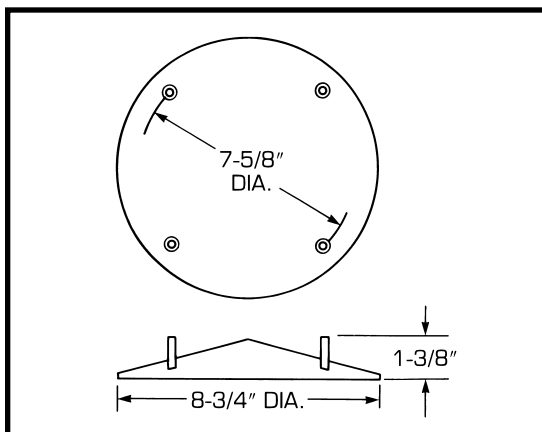


# Sound Diffuser for 8" Speaker Baffles Model D8W



## Soft Ceiling White Sound Diffuser

- Reduces "hot spots" under baffles by diffusing sound.
- Improves coverage of speakers, and can reduce number of speakers required.
- Helps sound quality in high ceiling, hard surface applications such as shopping malls.
- No glare surface blends with white ceiling tiles, or can be painted.
- Made of ceiling white, high-impact, UV stabilized polystyrene.
- No metallic resonance.
- Easily assembled to Model FJ8W, LS8W or RF8W and other baffles with 8" speaker mounting holes (7-5/8" dia.).
- Diffuser and speaker are assembled to the baffle at the same time with four supplied threadcutting screws.

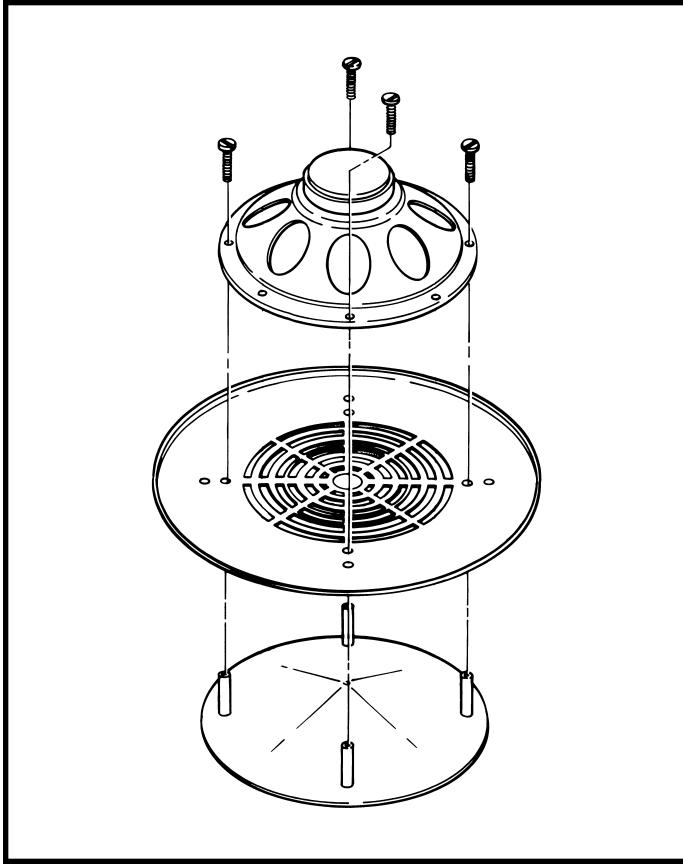


### ARCHITECT'S & ENGINEER'S SPECIFICATIONS

The sound diffuser shall be Fourjay Model D8W with outside dimensions of 8-3/4" diameter by 1-3/8" depth. It shall have four mounting posts on 7-5/8" diameter for easy assembly to Fourjay baffle Models FJ8W or LS8W and other baffles with 8" speaker mounting holes of 7-5/8" diameter. It shall be constructed of high-impact, UV stabilized polystyrene thermoplastic. The sound diffuser shall be used where "hot spots" or reverberation is a problem. Four #8 x 5/8" type 25 phillips pan head screws shall be furnished to securely fasten diffuser, speaker and baffle together as an assembly.

IN STOCK

IMMEDIATE SHIPMENT

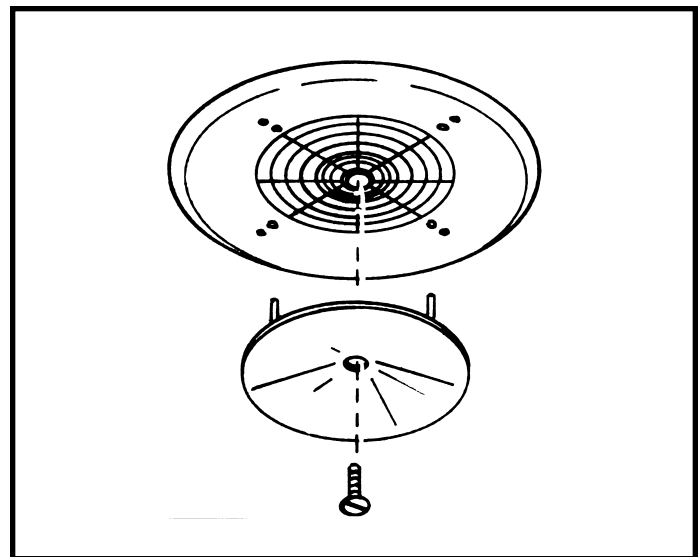


## Quick Cure for Existing Hot Spot Problems

Where "hot spots" or reverberation is a problem, the Fourjay D8W diffuser is the solution. This simple, easy-to-install accessory can be used with Fourjay baffle Models FJ8W, LS8W, RF8W or most screw-mount 8" speaker baffles to provide 360° sound distribution and inconspicuous appearance. The all-white diffuser with non-glare finish blends with plaster or tile ceilings. Furthermore, it can be painted without affecting its sound distribution properties.

## Easily Assembled...

Where hard surfaces and high ceilings are giving you a reverberation problem, the D8W can give you a quick low cost cure. Drill a single small hole in the center of the baffle, and one hole in the center of the D8W. Attach the diffuser using a 1/2" or 3/4" sheet metal screw.



**FOURJAY** SINCE 1956  
INDUSTRIES, INC.

2801 ONTARIO AVE • DAYTON, OH 45414 TELEPHONE (937) 890-6444  
• FAX (800) 4J HORNS (454-6767) WEBSITE: <http://www.fourjay.com> •  
EMAIL: [4j@fourjay.com](mailto:4j@fourjay.com)

*Fourjay Quality—American Made*