



AXCESS SERIES

Commercial Sound Attenuators AX-Series

Fourjay Commercial Sound Attenuators and level controls are value effective wall mount devices that allow zone control of speaker volume in a room or isolated area. A sound system may be optimized for overall performance while attenuators provide local control and maintain system balance.

Attenuators fit into standard size electrical boxes and can be located for convenient access; recessed in a wall box or enclosed in a surface mount box. Instructions and color matched mounting screws included.

Monaural Step Attenuators:

High quality auto-transformer type for 70 V and 25 V audio line systems. Noise free silver plated continuous contact switch, low insertion loss and superb frequency response assure years of trouble free performance. Positive stop prevents switch damage and sudden full output.

General Specifications:

Type: Low loss auto-transformer.

Source: 25 V or 70 V audio line.

Load: 25 V or 70 V audio line speakers.

Steps: 10 with stop plus off position.

Attenuation: 33 dB; 2 steps at 6 dB, 7 steps at 3 dB, 0 and off.

Connections: Plated, screw compression type; will take up to #14 wire size.

Style Options: Model number suffix.

-SK: Stainless steel plate with skirted black knob.

-W: All white; metal plate with washable, mar resistant, semi gloss finish and matching knob.

All models have screened black dial scale on the plate and pointer mark on knob.



Model: AXAT35 (SK or W)

Model AXAT75SK

Model AXAT35 (SK or W):

Power rating: 35 watts average.

Size behind plate: 1-5/8" x 2" W x 1-3/4" D.

Box size: Single gang, 1-7/8" deep min.

Shipping weight: 1 Lb.

Model AXAT75SK:

Power rating: 75 watts average.

Size behind plate: 2-3/8" x 2-5/8" W x 2-3/4" D.

Box size: 2 gang, 3" deep.

Shipping weight: 2 Lb.



FOURJAY SINCE 1956
INDUSTRIES, INC.

2801 ONTARIO AVE • DAYTON, OH 45414 TELEPHONE (937) 890-6444

• FAX (800) 4J HORNS (454-6767) WEBSITE: <http://www.fourjay.com> •
EMAIL: 4j@fourjay.com

World Made

L-Pad & Potentiometer Level Controls:

Controls are assembled to a brushed stainless steel mounting plate with black dial scale and skirted black knob. Screws and instructions are included.

Box size required: Single gang, 1-7/8" deep.

Shipping weight: 1 Lb.



Model AXAL48SK:

Monaural 8 ohm L-Pad:

High quality wire wound L-pad level control for 8 ohm speaker circuit. 40 watt rating for long quiet service. L-pad configuration provides constant load match of speaker to amplifier.

Type: Wire wound three terminal L-pad.

Power rating: 40 watts program.

Source: 8 ohm speaker line from amplifier.

Load: 8 ohm speaker.

Connection: 3 tinned terminals, numbered.

Size behind plate: 2" Sq. x 1-3/8" D.

Model AXAP5KSK:

Monaural 5000 ohm Potentiometer:

Economy level control for low power systems.

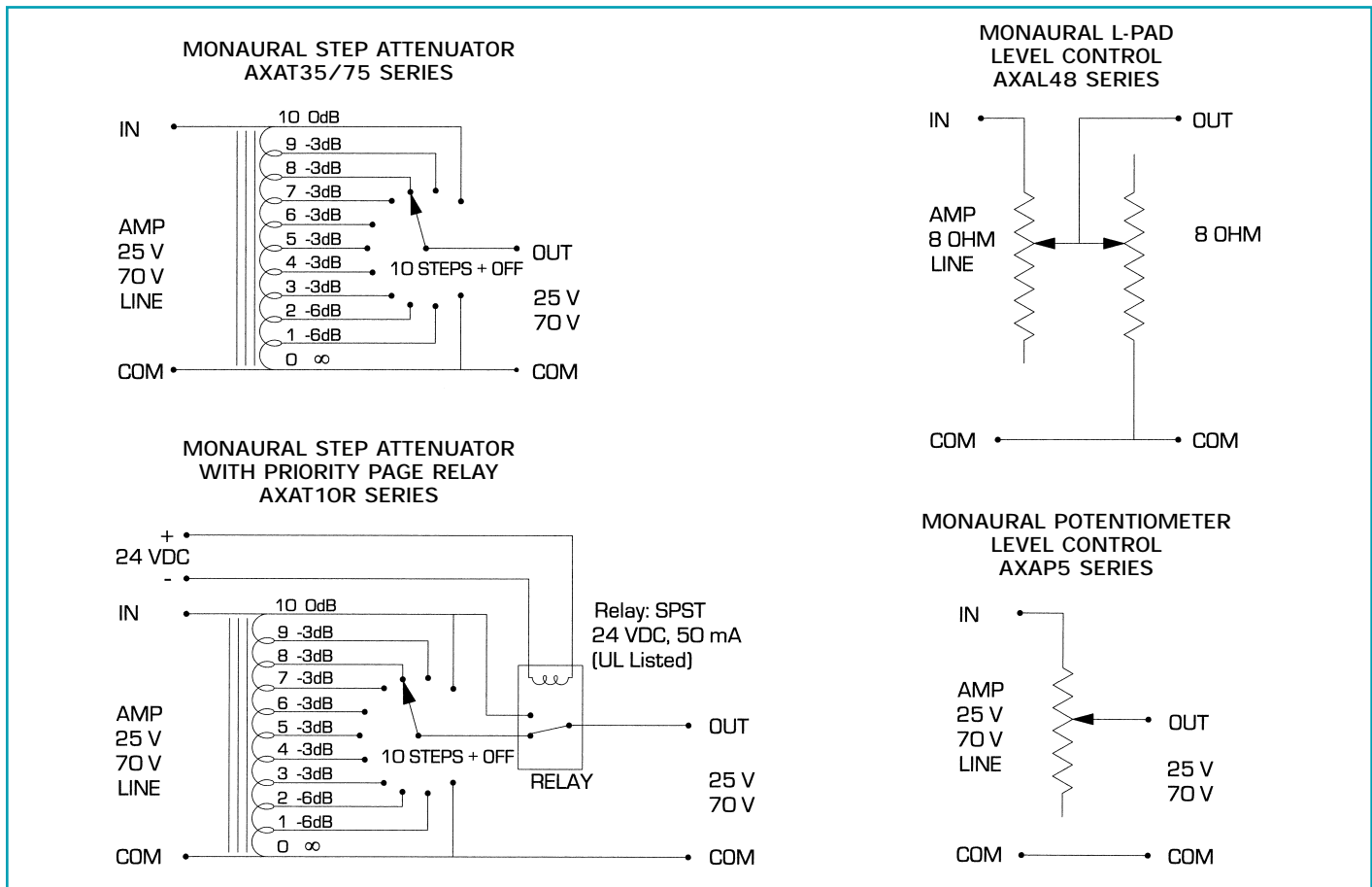
Type: Wire wound three terminal potentiometer.

Power rating: 15 watts.

Source & Load: 25 V or 70 V audio line.

Connections: 3 tinned terminals.

Size behind plate: 2" x 1-1/2" W x 1-3/8" D.



FOUR JAY SINCE 1956
INDUSTRIES, INC.

2801 ONTARIO AVE • DAYTON, OH 45414 TELEPHONE (937) 890-6444
• FAX (800) 4J HORNS (454-6767) WEBSITE: <http://www.fourjay.com> •
EMAIL: 4j@fourjay.com

World Made