



"The Stealth Ceiling Baffle"

for 8" Speakers

Stud Speaker Mount – **Model RE8W**

Model BS8W

MODELS RE8W

- "The Stealth Ceiling Baffle" was designed to escape observation.
- Inconspicuous compact 11" round flush mount baffle.
- A specially textured non-glare white powder coat finish, blends with ceiling materials.
- Accommodates thick-gasketed foreground music speakers and standard background music speakers.
- Fast, easy labor-saving installation with Fourjay mounting rings and bridges using 9-1/8" diameter circle mounting pattern.
- Made of corrosion resistant 22 gauge electro-galvanized steel.
- Construction and design comply with UL1480 ceiling baffle requirements.

MODEL BS8W

- Identical to the RE8W Baffle but with a 12 1/2" diameter on a 11 1/4" bolt circle.

MODEL RE8W ►

- Quick speaker-mount baffle.
- Secure speaker in seconds to threaded studs with furnished push-on nuts.
- Nut driver for speaker mounting is furnished with each package of baffles.
- Matching whitehead screws and push-on nuts furnished; phillips head screws for electric drivers.



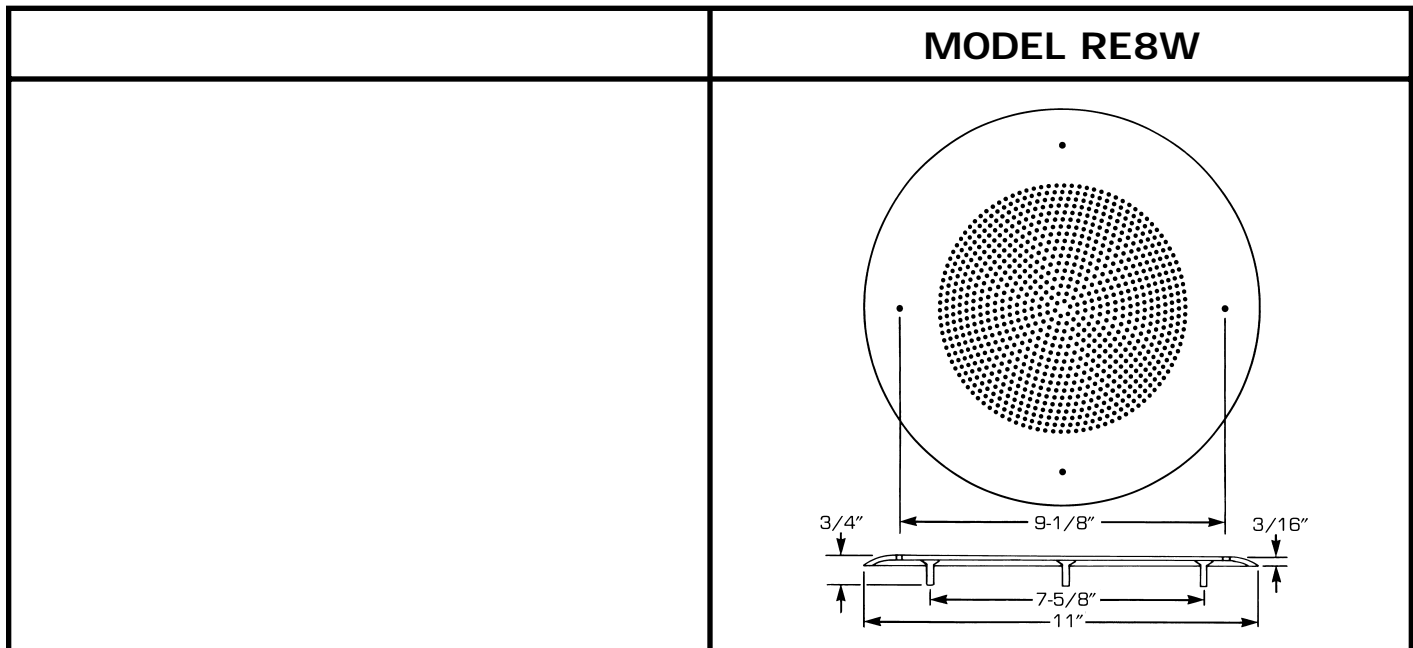
FOURJAY SINCE 1956
INDUSTRIES, INC.

2801 ONTARIO AVE. • DAYTON, OH 45414 TELEPHONE (937) 890-6444
• FAX (800) 4J HORNS (454-6767) WEBSITE: <http://www.fourjay.com> •
EMAIL: 4j@fourjay.com

Fourjay Quality—American Made

PRODUCT SPECIFICATIONS

	Model RE8W
Material	Powder coated, corrosion resistant electro-galvanized 22 ga. (0.030") steel
Color	Non-glare textured ceiling white
Speaker Size	8" (7-5/8" diameter mounting centers)
Baffle Mounting Fasteners	Four #8 x 1-1/2" phillips truss-whitehead sheet metal screws
Speaker Mounting Fasteners	Four push-on spring nuts
Standard Package	20 units
Mounting Devices	9-1/8" diameter circle mounting pattern; Models MR8(X), LAC8, TB8(X) and PB8.



ARCHITECT'S & ENGINEER'S SPECIFICATIONS

	<p>Round baffle for 8" speaker shall be Fourjay Model RE8W with outside diameter of 11". It shall have four mounting holes on 9-1/8" diameter circle and four studs on 7-5/8" diameter circle to accept most 8" speakers. The baffle shall be constructed of 22 ga. corrosion resistant steel with non-glare textured ceiling white powder coat finish on face of part. Furnished with four push-on nuts to securely fasten speaker to baffle, and four #8 x 1-1/2" truss-whitehead sheet metal screws to fasten baffle to ceiling/wall mounting device.</p>
--	--