

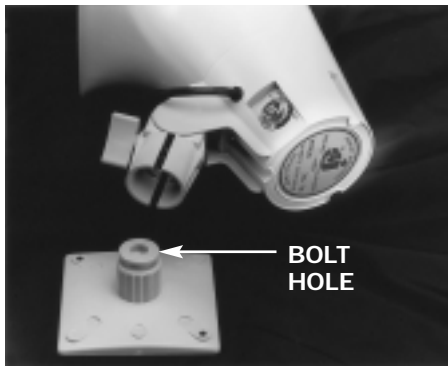


# 16 Watt Re-Entrant Horn Speaker

## for Paging & Talk-back

### 216 Series

- Designed for noise penetration and clear speech intelligibility.
- Conservatively rated at 16 watts continuous duty.
- Excellent sensitivity as a microphone in talk-back systems.
- Diffuser suppresses on-axis hot spot and improves dispersion.
- Powerful compression driver, steel parts plated to meet 96-hour salt spray test.
- Weather and corrosion resistant construction using stainless steel fasteners and engineering grade UV resistant thermoplastics.
- Mounting system designed for easy assembly and adjustment.
- Polycarbonate base features multiple mounting options.
- Manufactured in Fourjay's factory under strict quality supervision.
- Accessory kits available for mounting versatility.
- Long cable for fast "hard wiring" and good weatherability.
- Selector switch for power taps on Model 216-TD. Color coded 5 conductor cable for taps on 216/25-TD and 216/70-TD.
- Bug screen kit KB400 keeps out nests and reduces talk-back noise.

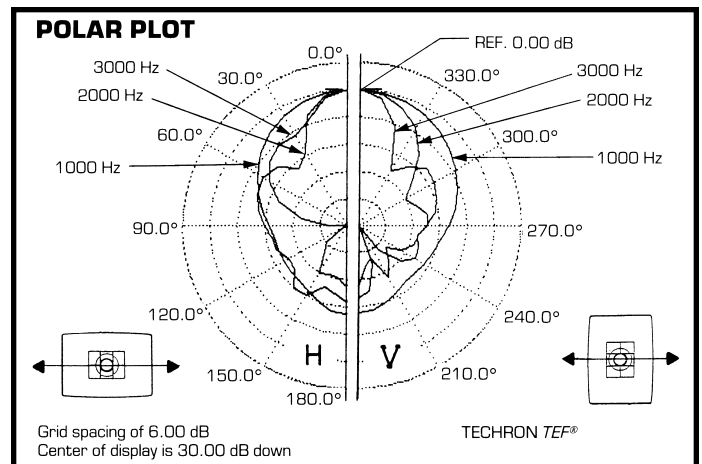
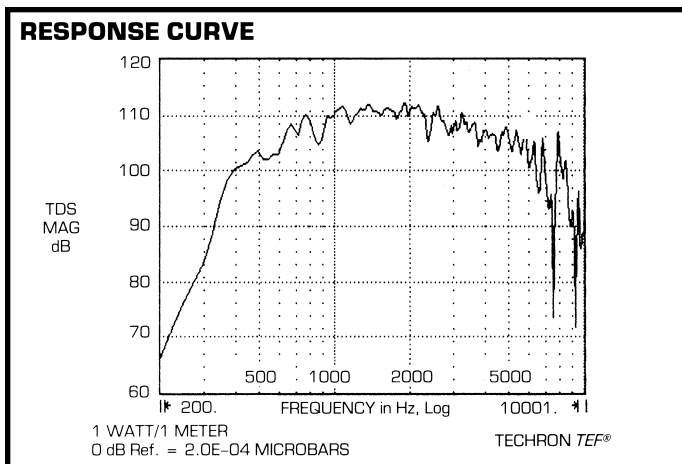


Quick, easy, labor-saving installation.

MODEL NO.	RATED INPUT	INPUT TAPS		WT. (lbs.)
		WATTS	OHMS ( $\pm 10\%$ )	
216-8D	8 ohms	16	8	3-1/2
216-45D	45 ohms	16	45	3-1/2
216/25-TD	25 V line	16, 8, 4, 2	39, 78, 156, 312	4
216/70-TD	70.7 V line	16, 8, 4, 2	312, 625, 1250, 2500	4
216-TD	25 V line	16, 8, 4, 2	39, 78, 156, 312	4
	70.7 V line		312, 625, 1250, 2500	

#### 5 CONDUCTOR INPUT CABLE POWER TAP CODE

MODELS	BLK	BRN	GRN	RED	WH
216/25-TD 216/70-TD	COM	16W	8W	4W	2W



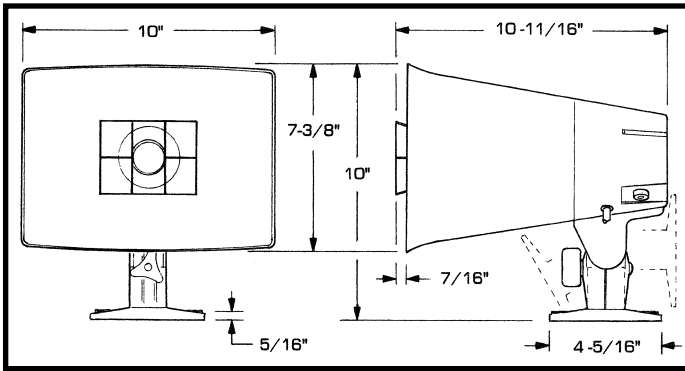
**FOURJAY** SINCE 1956  
**INDUSTRIES, INC.**

3400 STOP EIGHT ROAD • P.O. BOX 13617 • DAYTON, OH 45413-0617  
TELEPHONE (937) 890-6444 • FAX (800) 4J HORNS (454-6767)  
WEBSITE: <http://www.fourjay.com> • EMAIL: [4j@fourjay.com](mailto:4j@fourjay.com)

*Fourjay Quality—American Made*

IN STOCK

IMMEDIATE SHIPMENT



jacketed 30" long cable on Models 216/25-TD and 216/70-TD.

**Power Taps:** Selector switch on Model 216-TD. Color coded 5 conductor cable on Models 216/25-TD and 216/70-TD.

**TECHNICAL SPECIFICATIONS**

**Power Handling:** 16 watts continuous duty.

**Frequency Range:** 600-5600 Hz ( $\pm 3$  dB)  
(On Axis) 400-6800 Hz ( $\pm 6$  dB)

**Sound Pressure Level (Model 216-8D at 1 meter):**

- 1 watt, 500-5000 Hz, averaged; 109 dB
- 1 watt, 1 octave at 2 kHz, averaged; 110.7 dB
- 16 watts, 1 octave at 2 kHz, averaged; 122 dB

**Talk-Back Sensitivity as Microphone:**

(Model 216-45D). Reference 94 dB (1.0 Pa)  
SPL, 700-2000 Hz;  $47.4 \pm 2$  mv or  $-13$  dBm  
(0 dBm = 1 mw).

**PHYSICAL SPECIFICATIONS**

**Materials:** Impact and UV resistant ABS horn and cover. High stability, UV resistant polycarbonate for driver and mounting components. Stainless steel fasteners.

**Driver:** Compression type, integral with horn. Replaceable phenolic diaphragm driven by a high heat rated voice coil. Magnet structure steel parts are plated per Mil. Spec. QQ-Z-325, type I, class 2, passes 96-hour salt spray test.

**Mounting Provisions:** Fully adjustable, 2 axis spline lock mounting assembly firmly supports speaker near its center of gravity. Removable square, polycarbonate base has provisions for fastening to standard utility boxes; 4" square, octagon or duplex. Supplied ready to install, field removable K.O. slugs seal other features. Center hole accepts 1/4" screw for securing with toggle bolt or to beam clamp.

**Color:** Tan with brown diffuser/inner horn.

**Wiring:** 2 conductor black jacketed 30" long cable on Models 216-8D, 216-45D and 216-TD. 5 conductor black

**ARCHITECT'S & ENGINEER'S SPECIFICATIONS**

The loudspeaker shall be a re-entrant horn/compression driver type of integrated construction, Fourjay model (216-8D, 216-45D, 216/25-TD, 216/70-TD or 216-TD). It shall be conservatively rated and shall be driven by a phenolic diaphragm with a high temperature rated voice coil. It shall be capable of operation from  $-30^{\circ}\text{F}$  to  $+160^{\circ}\text{F}$  temperature extremes.

Frequency range shall be 400-6800 Hz ( $\pm 6$  dB). Sound pressure level (1W/1M) shall be 109 dB. Power handling capability shall be 16 watts continuous duty.

All materials shall resist damage from extreme weather exposure. Horn and cover shall be made of impact & UV resistant ABS, rated to retain mechanical properties from  $-30^{\circ}$  to  $+160^{\circ}\text{F}$ . Mounting system and other critical parts shall be high stability, UV resistant polycarbonate.

**MOUNTING METHODS AND ACCESSORIES**

<b>KBC123 Kit</b> Beam Clamp Mount	<b>KBJ123 Kit</b> Bar Joist Mount	<b>KTG123 Kit</b> Toggle Bolt Mount	<b>KPM123 Kit</b> Pole Mount
Fastening to Standard Utility Boxes 4" Square, Octagon or Duplex (Boxes not included)		Stud Driver or Concrete Nails	<b>KB400</b> Bug Screen



**FOURJAY** SINCE 1956  
INDUSTRIES, INC.

3400 STOP EIGHT ROAD • P.O. BOX 13617 • DAYTON, OH 45413-0617  
TELEPHONE (937) 890-6444 • FAX (800) 4J HORNS (454-6767)  
WEBSITE: <http://www.fourjay.com> • EMAIL: [4j@fourjay.com](mailto:4j@fourjay.com)

Fourjay Quality—American Made