

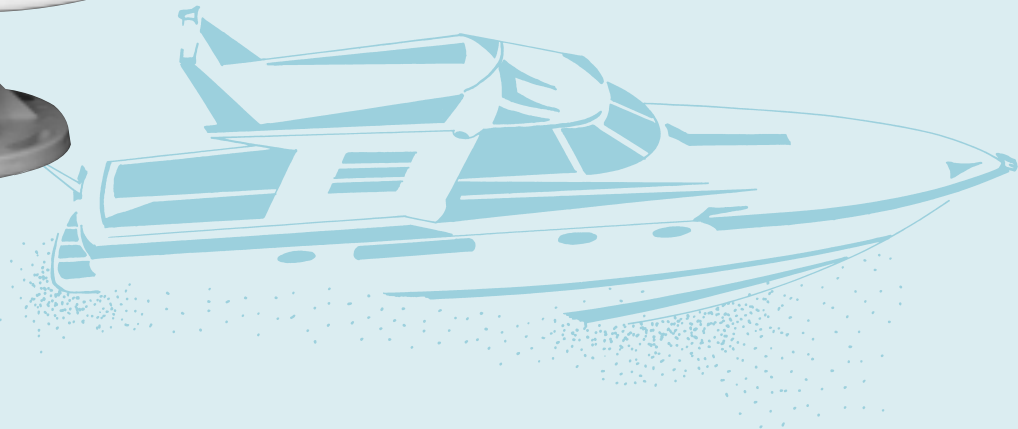
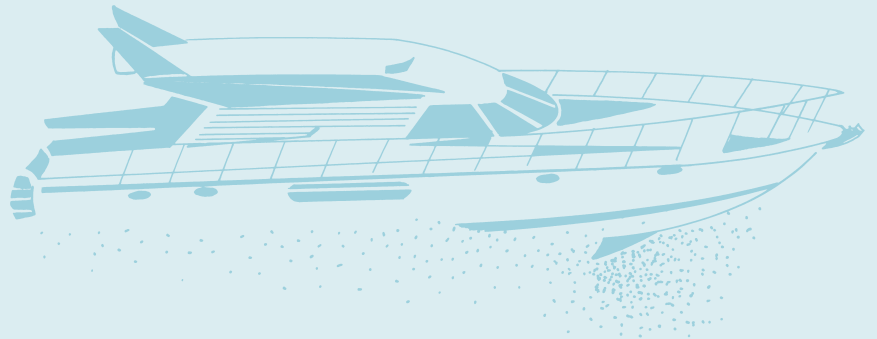


High Performance Marine Speakers for Humid and Corrosive Environments

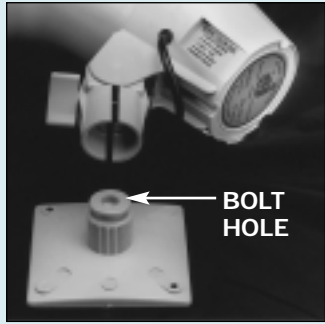
200 & 400 Series



*...performance
you can hear*



200 Series Marine Speakers



- ❑ Full-sized re-entrant horn speaker with a rugged high performance compression driver.
- ❑ Aboard ship or on land the weather-tight corrosion resistant construction protects against high humidity, salt water spray and other harmful environments.
- ❑ Designed for noise penetration and good speech intelligibility for enhanced paging or hailing. Efficient output for fog horn, security alarm or Mayday signaling.
- ❑ Unique mounting base design offers quick and easy assembly and directional adjustment.
- ❑ Excellent sensitivity as a microphone in listening, intercom or talk-back systems.
- ❑ 8 ohm model rated at 40 watts continuous duty. 70.7 volt line model has taps at 16, 8, 4 and 2 watts on concealed transformer.
- ❑ All white horn and base blends with marine hulls and accessories.
- ❑ Horn body and cover made of UV stable, weatherable, marine grade polymer.
- ❑ Corrosion resistant construction with stainless steel fasteners. Magnet structure plated parts pass 96-hour salt spray test.
- ❑ Almost indestructible polycarbonate base plate can be mounted with stud gun, concrete nails or heavily torqued screws or bolts.
- ❑ Manufactured and tested under strict quality requirements.

Physical Specifications

Materials: Horn body and cover; UV stable, impact resistant, weatherable, outdoor and marine grade polymer. Base and driver components; high stability flame retardant polycarbonate. Fasteners; stainless steel.

Driver: Compression type, integral with horn. Replaceable phenolic diaphragm driven by a high heat rated voice coil. Magnet structure

steel parts are plated per Mil. Spec. QQ-Z-325, type I, class 2, passes 96-hour salt spray test.

Mounting Provision: Fully adjustable, 2 axis, positive spline lock mounting assembly supports speaker near center of gravity. Removable polycarbonate base plate features provide multiple mounting options.

Color: White

Wiring: 2 conductor white jacketed 30" long cable on model 240-8M, 5 conductor black jacketed 30" long cable on Model 216/70-TM.

Power Taps: Color coded 5 conductor cable on Model 216/70-TM.

Technical Specifications

Power Handling

40 watts, Model 216/70-TM has 16, 8, 4 and 2 watt taps.

Frequency Range: (on axis)

670-5500 Hz (± 3 dB)

400-8500 Hz (± 6 dB)

Sound Pressure Level:

(Average over 1 octave at 2 kHz, at 1 meter on axis, 0 dB Ref = 2.0E - 04 Microbars)

❑ 1 watt; 111 dB

❑ 16 watts; 122 dB

❑ 40 watts; 126 dB

Talk-back Sensitivity as Microphone:

Reference 94 dB (1.0 Pa) SPL, 700-2000 Hz;

Model 240-8M; 24 \pm 2 mv or -11.5 dBm

Model 216/70-TM; -13.0 dBm

Model No.	Rated Input	Input Taps		Wt. (lbs.)
		Watts	Ohms ($\pm 10\%$)	
240-8M	8 ohms	40	8	3.5
216/70-TM	70.7 V line	16, 8, 4, 2	312, 625, 1250, 2500	4

MOUNTING METHODS AND ACCESSORIES

KBC123 Kit Beam Clamp Mount	KBJ123 Kit Bar Joist Mount	KTG123 Kit Toggle Bolt Mount	KPM123 Kit Pole Mount
Fastening to Standard Utility Boxes 4" Square, Octagon or Duplex		Stud Driver or Concrete Nails	KB400 Bug Screen

Model 440-8M Marine Speaker

- Re-entrant horn speaker with a powerful and efficient 8 ohm compression driver.
- Efficiency and power handling capability in a corrosion resistant small package make this model ideal for many on board ship applications.
- Quality speech intelligibility for hailing, intercoms and enhanced marine radio output. Efficient output for fog horn, distress and security alarm signals.
- Excellent sensitivity as a microphone for listening or talk-back systems.
- The small all white package allows for inconspicuous installation as a deck horn. Also can be recess mounted using horn flange.
- Horn and mounting components made of weatherable, marine grade polymer.
- Corrosion resistant construction with stainless steel fasteners. Magnetic structure plated parts pass 96-hour salt spray test.
- A heat sink coupled to the driver dissipates heat to maintain efficiency and endurance at 40 watts of continuous duty.
- Vehicle Support Bracket (Model K4DM) available for rigid support in rough duty or high vibration applications.
- Manufactured and tested under strict quality requirements.

Physical Specifications

Materials: Horn and mounting components; UV stable, impact resistant, weatherable, outdoor and marine grade polymer. Driver components; high stability flame retardant polycarbonate. Fasteners; stainless steel.

Driver: Compression type, integral with horn. Replaceable phenolic diaphragm driven by a rugged high temperature rated 1-1/2" diameter voice coil. Magnet structure steel parts are plated per Mil. Spec. QQ-Z-325, type I, class 2, passes 96-hour salt spray test.

Mounting Provision: Adjustable base has 4 slots on 2-3/4" diameter for #8 screws. Horn flange has four dimpled hole locators on 5-5/8" diameter for recessed mounting or mounting to vehicle support bracket.

Color: White

Wiring: 30" long, white jacketed cable.

Net Weight: 2-5/8 lbs.

Technical Specifications

Input Impedance:

8 ohms nominal

Power Handling:

40 watts continuous duty

Frequency Range:

(on axis)
700-6500 Hz (± 3 dB)

500-7000 Hz (± 6 dB)

Sound Pressure Level:

(At 1 meter)
□ 1 watt, 500 to 5000 Hz, averaged; 107 dB

□ 1 watt, 1 octave at 2 kHz, averaged; 108 dB

□ 40 watts; 1 octave at 2 kHz, averaged; 123 dB

Coverage Angle:

100° at 2 kHz, 6 dB down

Talk-back Sensitivity as Microphone:

Reference 94 dB (1.0 Pa) SPL, 700-2000 Hz;

13.7 \pm 0.8 mv or -16.3 \pm 0.5 dBm

(0 dBm = 1 mw)

Accessories

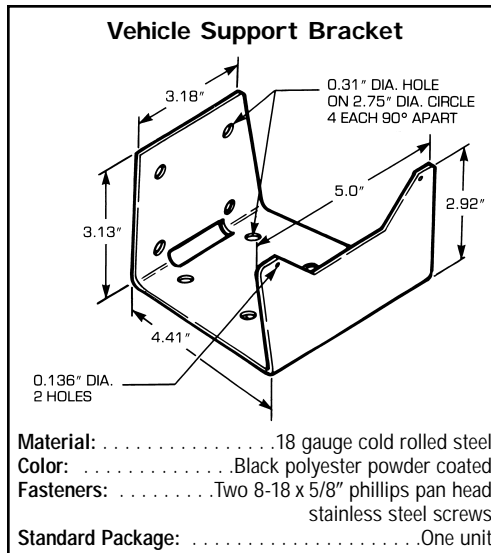
Bug Screen: Model KB400

Open cell foam bug screen to stop bugs from building nests inside horn. Also helps reduce wind noise when unit is used as a microphone.

Vehicle Support Bracket: Model K4DM

Coated steel bracket rigidly supports Model 440-8M against vibration and rough duty.

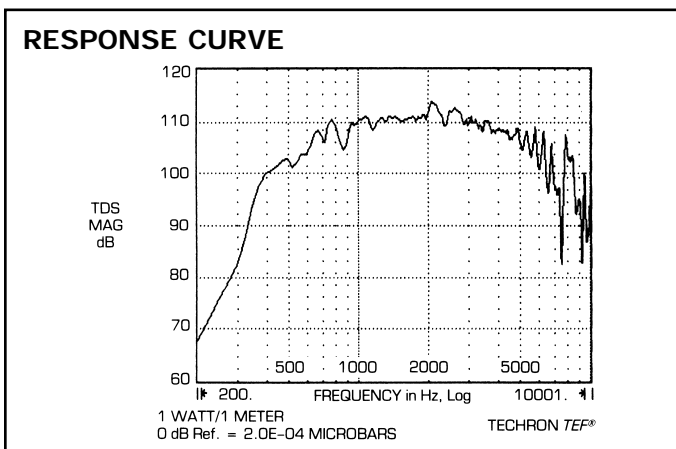
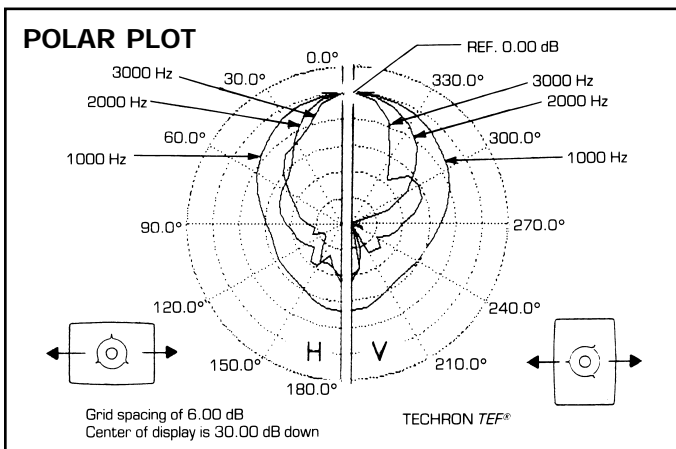
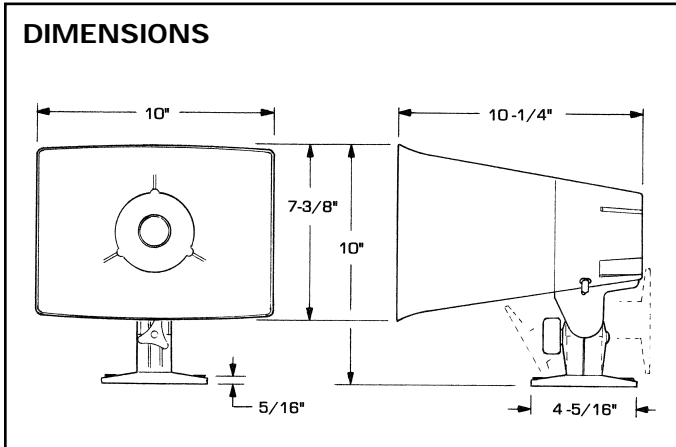
See Form 367.



Remote Speaker for Marine Radio

Technical Information

200 Series



400 Series

