



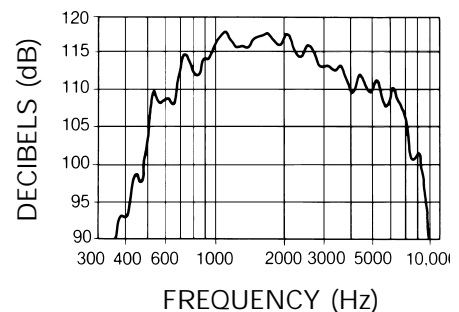
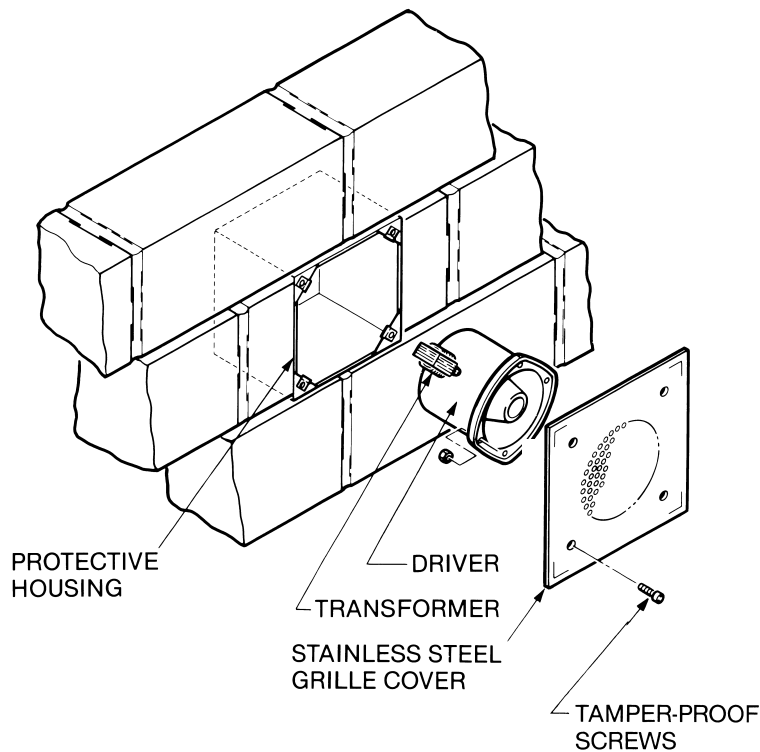
Tamper and Vandal-Proof Flush Mount 16 Watt Speaker 416 Series

Schools - Prisons - Industrial

- Stainless steel grille cover.
- Tamper-proof attaching screws.
- Pleasing appearance.
- Compression driver.
- 16 watts power.
- 25/70 volt line transformer.
- Speech intelligibility.
- Protective housing.
- Easily recessed into block wall.
- Weatherproof.



Model 416-TF (25/70 Volts)



Sound Pressure Level (SPL)
16 Watts at 4' on Axis

- Protective Housing and Grille/Driver can be purchased separately as needed during construction. See chart on back for component Model Numbers.



FOURJAY SINCE 1956
INDUSTRIES, INC.

2801 ONTARIO AVE • DAYTON, OH 45414 TELEPHONE (937) 890-6444
• FAX (800) 4J HORNS (454-6767) WEBSITE: <http://www.fourjay.com> •
EMAIL: 4j@fourjay.com

Form 371-02

Fourjay Quality—American Made

Flush Mount 16 Watt Speaker

DRIVER AND LINE TRANSFORMER

- Compression driver with 1-1/2" voice coil.
- Frequency response of 500 to 7000 Hz.
- Designed for speech communications.
- 16 watt power handling.
- 25/70 volt line transformer.
- Pre-assembled to grille cover.

STAINLESS STEEL GRILLE COVER

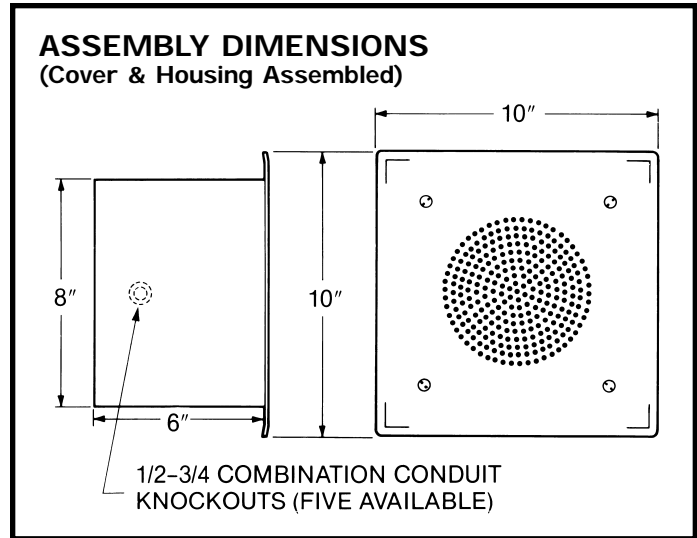
- 16 gauge, stainless steel 10" x 10" square.
- Good open grille area while maintaining protective strength.
- Tensile strength 35,000 psi.
- Fast installation using #8 x 1" spanner head tamper-proof stainless steel screws.
- Flush grille cover with tapered edges hides irregularities around recessed housing.

TAMPER-PROOF BIT

- #8 spanner bit (required for assembly).
- Order Model K8TB.

PROTECTIVE HOUSING

- 18 gauge, enameled steel 8" x 8" x 6".
- Five combination 1/2" - 3/4" conduit knockouts (four sides and one rear).
- Easy alignment of grille cover to sheet metal U-nuts rather than a threaded hole.
- Easily recessed into block walls.



COMPONENT MODELS

- Purchase protective housing and grille/driver as needed during construction.
- Less storage and job site losses.
- Less capital investment during long construction period.

ARCHITECT'S & ENGINEER'S SPECIFICATIONS

The tamper and vandal-proof speaker assembly consisting of grille, housing, and driver shall be Fourjay's Model 416-TF. The grille shall be 16 gauge stainless steel, 10" x 10", and attach to the housing with four 8 x 1" stainless steel spanner head screws. The housing shall be 18 gauge, enameled steel, 8" x 8" x 6", with five combination 1/2" - 3/4" conduit knockouts. The 25/70.7 volt line driver shall have a 1-1/2" voice coil with a frequency response of 500 to 7,000 Hz, and handle 16 watts RMS.

COMPLETE UNIT MODEL NO.	RATED INPUT	RATED POWER WATTS	INPUT TAPS		COMPONENT MODEL NOS.	
			WATTS	OHMS	GRILLE/ DRIVER	PROTECTIVE HOUSING
416-TF	25 V line	16	16, 8, 4, 2	39, 78, 156, 312	416-TFA	416-B
	70.7 V line	16	16, 8, 4, 2	312, 625, 1250, 2500		



FOURJAY SINCE 1956
INDUSTRIES, INC.

2801 ONTARIO AVE • DAYTON, OH 45414 TELEPHONE (937) 890-6444
• FAX (800) 4J HORNS (454-6767) WEBSITE: <http://www.fourjay.com> • EMAIL: 4j@fourjay.com

Fourjay Quality—American Made