

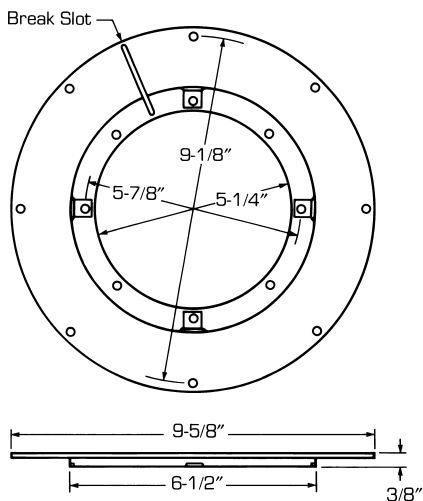
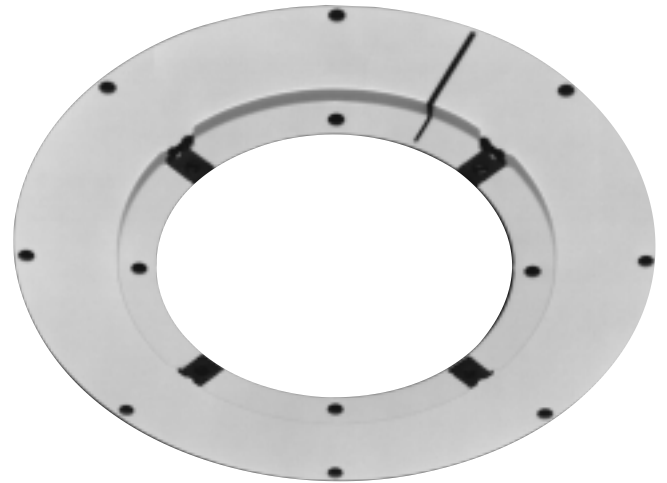


Mounting Ring

for 4" & 5" Speaker Baffles

Model MR4/5 & MR4/5X

- Securely supports 4" or 5" recessed speaker baffle assembly in ceiling or wall.
- Fast and easy installation method eliminates use of toggle bolts.
- A slot in the ring allows it to be broken and threaded into a 6-5/8" hole in existing ceiling or wall.
- Mr. Scriber mounting hole marker supplied with each shipment.
- MR4/5(X) is used with Model UMB(X) when Tee Bar bridge is required.
- PH8 Series enclosures mount to O.D. of mounting ring.
- Four U-nuts attached to ring allows easy assembly using #8 Type "A" sheet metal screws.
- Model MR4/5 is made of high impact polystyrene. Model MR4/5X is made of Fourjay's Flamex; UL rated 94V-0 flame retardant material. (See Form 410).
- Economical packages of baffles with mounting rings are available (CRM4/5W & CRM4/5WX). Model LF4/5CWX includes the mounting ring.



Material:

MR4/5 – high impact polystyrene
MR4/5X – flame retardant ABS,
UL rated 94V-0 (see Form 410)

Baffle:

4" or 5" speaker baffle with 5-7/8" diameter mounting centers

Tee Bar Bridge:

Attaches to Model UMB or UMBX

Protective Enclosure: PH8 Series (attaches to 9-1/8" diameter center holes with fasteners supplied with enclosure)

Fasteners:

Four #8-15 U-nut type spring clips assembled to ring



FOURJAY SINCE 1956
INDUSTRIES, INC.

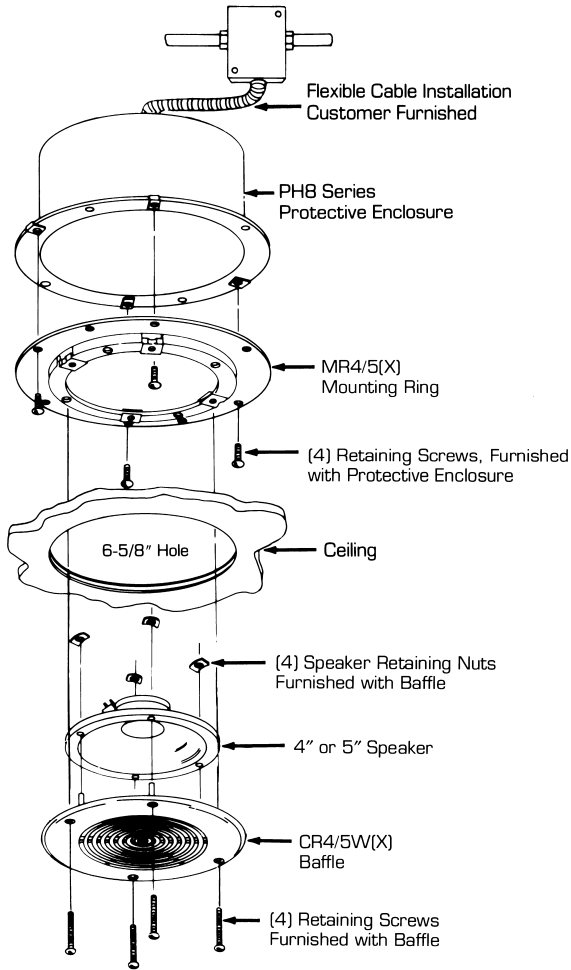
2801 ONTARIO AVE • DAYTON, OH 45414 TELEPHONE (937) 890-6444
• FAX (800) 4J HORNS (454-6767) WEBSITE: <http://www.fourjay.com> •
EMAIL: 4j@fourjay.com

Fourjay Quality—American Made

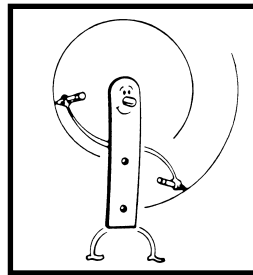
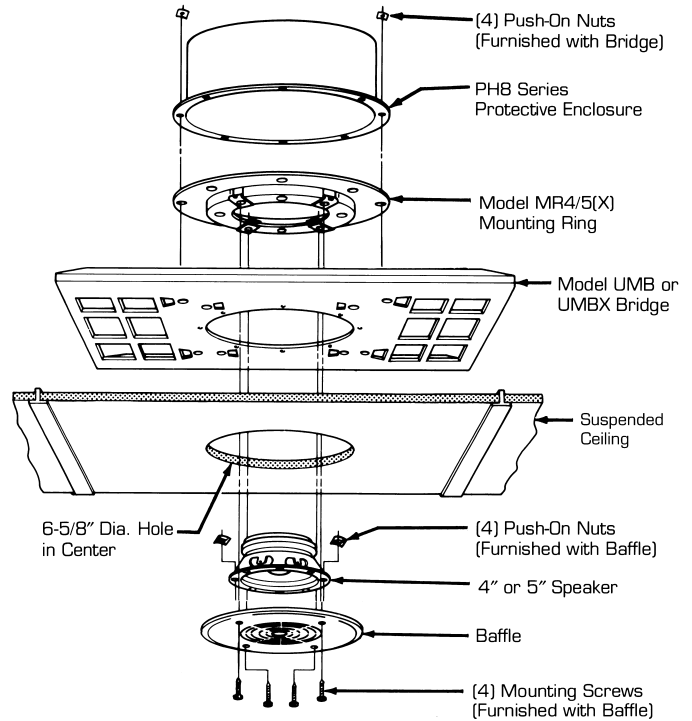
IN STOCK

IMMEDIATE SHIPMENT

ASSEMBLY WITH PROTECTIVE ENCLOSURE



ASSEMBLY WITH TEE BAR BRIDGE AND PROTECTIVE ENCLOSURE



MR. SCRIBER

Mounting hole marker supplied with each shipment.

ARCHITECT'S & ENGINEER'S SPECIFICATIONS

The mounting ring shall be Fourjay Model MR4/5(X) with an outside diameter of 9-5/8" and an inside diameter of 5-1/4". It shall be constructed of high impact polystyrene thermoplastic (UL rated 94V-0 flame retardant ABS thermoplastic). It shall have four #8-15 U-nut type spring clips preassembled on the baffle mounting flange for attachment of a 4" or 5" speaker on a baffle with mounting holes for sheet metal screws that are on a 5-7/8" diameter circle pattern. The mounting ring shall have a slot to allow it to be broken then threaded into a 6-5/8" diameter hole in an existing structure. The mounting ring shall accept the PH8 Series protective enclosure. The mounting ring shall be assembled to Model UMB(X) bridge for additional support in a 2' x 2' or 2' x 4' T-bar suspended acoustical tile ceiling.



FOURJAY SINCE 1956
INDUSTRIES, INC.

2801 ONTARIO AVE • DAYTON, OH 45414 TELEPHONE (937) 890-6444
• FAX (800) 4J HORNS (454-6767) WEBSITE: <http://www.fourjay.com> •
EMAIL: 4j@fourjay.com

Fourjay Quality—American Made